

TV1-012H

TELEVISION MOUNT

INSTALLATION INSTRUCTIONS



Thank you for choosing a MORryde television mount! This mount is excellent for under-cabinet installation or reinforced ceilings. It also works great as a swiveling monitor mount for desktop installation.

Key Features and Benefits

- Fits 15" - 19" flat panel TVs
- Tilt and swivel adjustment
- Secure Lock for Travel

Range of Motion*

- Swivels up to 360° and tilts 0-10°

* For most applications

Product and Safety Information

The TV1-012H mounts flat panel televisions or monitors to a horizontal surface.

NOTE: This mount is not intended for use on brick, concrete, concrete block.

VESA* Mounting Plates

- 75mm x 75mm
- 100mm x 100mm

* Video Electronics Standards Association

Weight Capacity

- 25 lbs

Parts List

1. TV Plate
2. Base Plate
3. Hardware Pack

⚠ WARNING Improper installation may cause property damage or personal injury. The mounting surface may require reinforcement as it must be capable of supporting five times the combined weight of the television and the mount.

The installer assumes all responsibility of verifying that any installation method and mounting surface securely support the television and mount. MORryde is not liable for property damage or injury caused by incorrect mounting, installation methods not recommended by MORryde, hardware not provided by MORryde, or incorrect use of the mount during travel or otherwise.

Preparation

Television Stand

If applicable, remove the original base stand in accordance with the television owner's manual.

Hardware

Use appropriate hardware for securing your television to the mount and mounting your television to the mounting surface.



M4x12mm Bolt (4)



M5x12mm Bolt (4)



M6x12mm Bolt (4)



1/4" x 1" Lag Bolt (8)



M6 Flat Washer (8)



#10 Flat Washer (8)



1/4" Flat Washer (8)

Installation

⚠ WARNING Using mounting hardware too long for your application may puncture exterior structures.

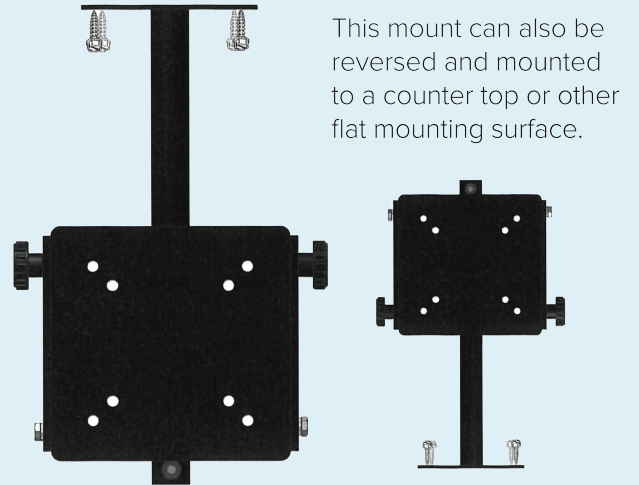
⚠ WARNING If your television came with a stand, please remove the stand by referring to your television's owners manual and ensure the hardware has been removed from the mounting holes.

STEP 1

Secure mount to reinforced ceiling or mounting surface:

Pre-drill holes using a 1/8" drill bit. Use 1/4" lag bolts and 1/4" washers or appropriate hardware for the structure to secure the mount to the reinforced mounting surface.

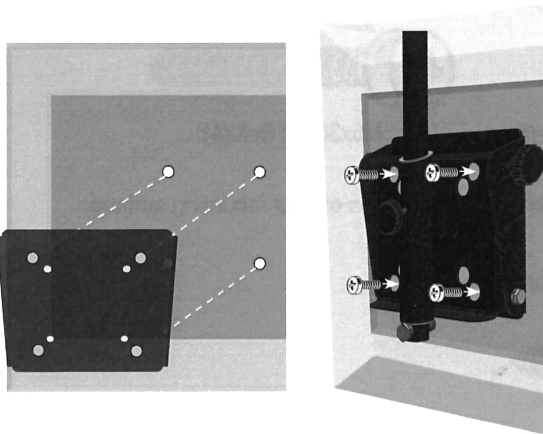
⚠ CAUTION **Structure must be reinforced.** The size and weight of your television plus the weight of the mount must be properly supported. MORryde is responsible for the design and manufacturing of our parts; we are not responsible for the structure it is mounted to or the construction method used to reinforce the mounting surface.



STEP 2

Secure the television or monitor to the mount:

Line up the hole pattern on your television with the matching hold pattern on your mounting plate. Use the appropriate mounting hardware and washers to secure the television to the mounting plate.



⚠ WARNING Step 2 may require two people to lift the television safely into place. MORryde is not responsible for property damage and/or personal injury due to improper or unsafe installation practices.

