



DROP-DOWN GRIDDLE TRAY

OWNER'S MANUAL & INSTRUCTIONS



SP56-727



Above. Beyond. Always.

574.293.1581
www.MORryde.com

DROP-DOWN GRIDDLE TRAY



Above. Beyond. Always.

574.293.1581
www.MORryde.com

DROP-DOWN GRIDDLE TRAY

INTRODUCTION

The Drop-Down Griddle Tray serves as an outside grill/griddle slide that provides 23.75" of extension from the mounting base and drops down 5.5".

Dimensions – 25.375"W x 9.75"H x 21.75"D

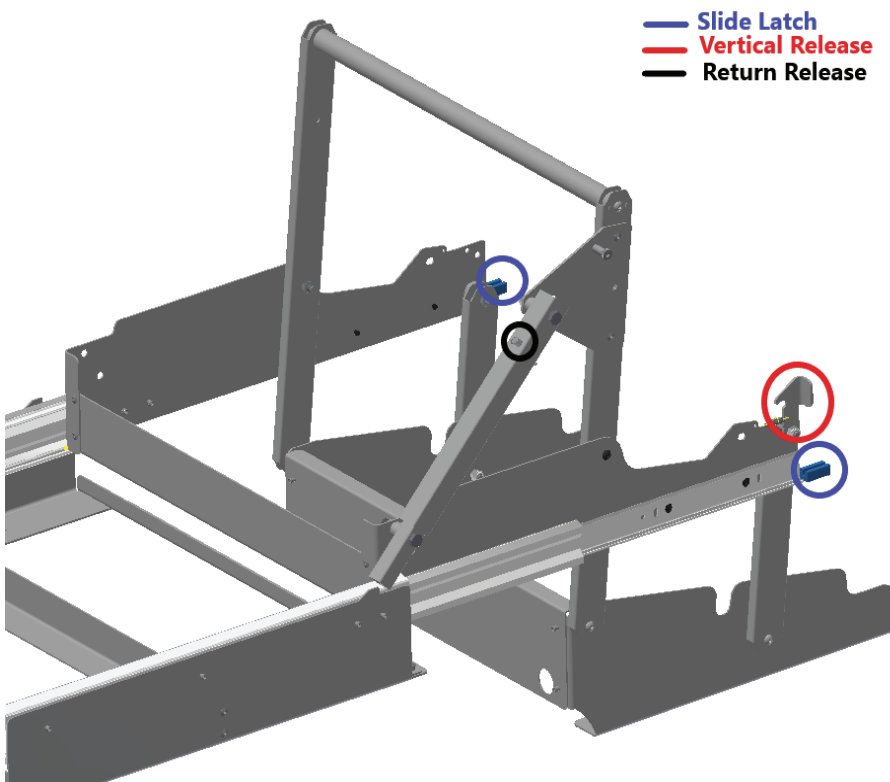
⚠ WARNING – Due to heat transfer from grill/griddle brackets/mounts may at times be hot to the touch.

⚠ WARNING – Brackets should only be used in a manner consistent with their common/intended use.



WARNING – Pinch points exist in bracket pivot areas. Keep hands clear of pinch points while adjusting/stowing your Drop-Down Griddle Tray.

Common Use – The Drop-Down Griddle Tray is designed to be used as a mechanism to access/adjust and support an outside grill/griddle for the purpose of outdoor cooking.



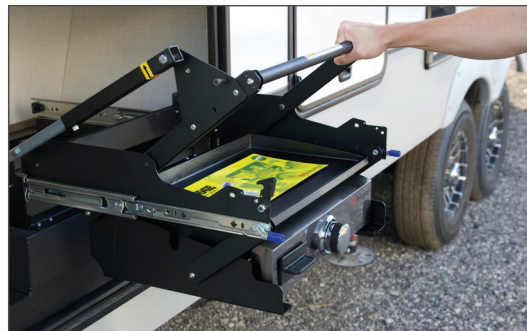
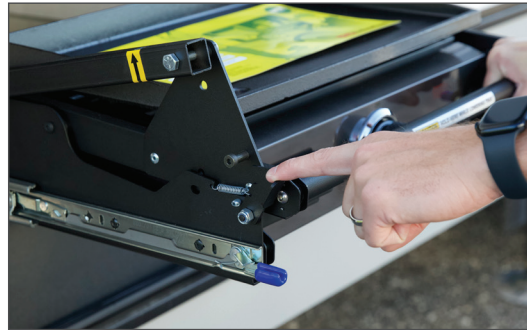
DROP-DOWN GRIDDLE TRAY

OPERATING INSTRUCTIONS

TO USE GRIDDLE

STEP 1

Facing the slide-out, press both left and right slide locking mechanisms and guide the slide all the way out until each slide locks in place.



STEP 2

Once the slide is out and locked in place, place right hand on the bar/handle and pull the vertical release latch located on the left side of the drop-down bracket, then raise the bar/handle to lower and guide the grill down and into place for use.



Note: If equipped with a tie-down strap, once the griddle is extended and down, remove strap prior to connecting gas/electric supply.

STEP 3

Once the grill is in place, ensure that the gas/electrical power source is connected and properly functioning.



Above. Beyond. Always.

574.293.1581
www.MORryde.com

DROP-DOWN GRIDDLE TRAY

OPERATING INSTRUCTIONS, CONTINUED

TO STOW GRIDDLE

STEP 1

When use of the grill is complete and the appliance has sufficiently cooled, ensure that the power source is properly disconnected and stowed.

STEP 2

Press the return release button located on the support arm on the left side of the bracket, then apply downward pressure to the bar/handle to return the grill up into place on the slide.

Note: Maintain positive control of the bar/handle until the vertical release latch has engaged and is locked.



STEP 3

Once the grill is raised into place and in line with the slides, disengage both of the slide locks and use the bar/handle to push/return the grill to the closed position.

Note: Maintain positive control of the bar/handle until both slide retention latches have clicked into the locked position.

Note: To ensure safety and minimize the risk of property damage, ensure that the grill/griddle has completely cooled prior to stowing.

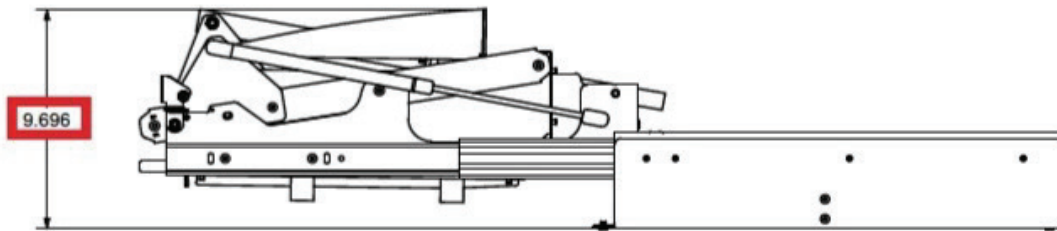
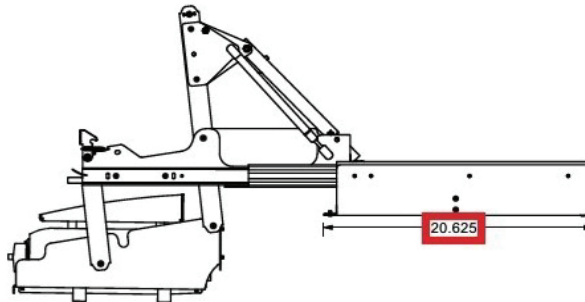
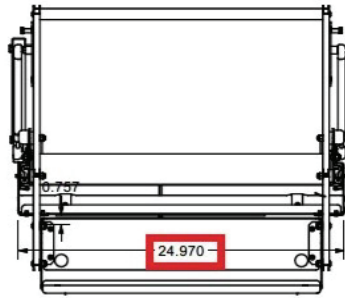


DROP-DOWN GRIDDLE TRAY

INSTALLATION INSTRUCTIONS

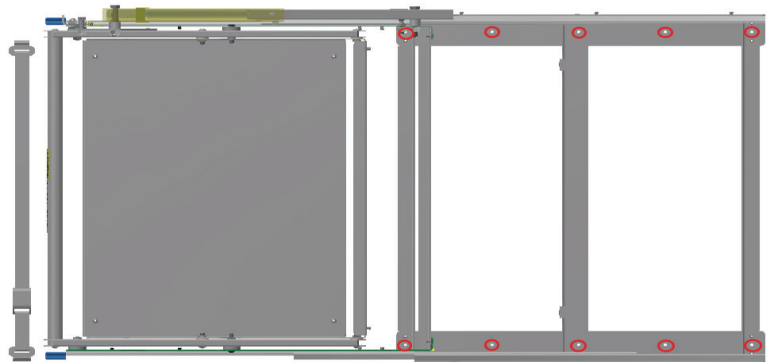
STEP 1

Ensure that the spot selected for install is at least 25" wide, 21" deep and 10.5" high.



STEP 2

Place griddle bracket in the installation location, to hold the tray in place, open the sliding mechanism on each side and allow the tray to slide out far enough to install one of the #8 screws into one of the hole locations (indicated below) on each side of the bracket. Once the tray is secured in place, install the remaining eight #8 screws.



Above. Beyond. Always.

574.293.1581
www.MORryde.com

DROP-DOWN GRIDDLE TRAY

INSTALLATION INSTRUCTIONS

STEP 3

Once installed, open and close the tray a few times to ensure the action is smooth and not bound in any way.

MAINTENANCE

Periodically inspect the bolts on all pivot joints to ensure that they are properly tight.

TROUBLESHOOTING

If you have any questions regarding product troubleshooting steps, please contact the Parts Department at **574-293-1581** or email us at **parts@morryde.com**.

DROP-DOWN GRIDDLE TRAY

At MORryde, we have a passion for solving problems. Whether we're fabricating custom solutions, modifying a commercial chassis, or creating our innovative products, we answer to a wide range of markets and deliver on a variety of needs. At MORryde, it's simply about doing MORE for our customers, and it doesn't stop at the sale. We stand behind our products, believing in quality first, service always. No matter the issue, we'll be the first to respond and the last to be satisfied. In short, we build better — together.



Drop-Down Griddle Tray |
Version 7



Above. Beyond. Always.

574.293.1581
www.MORryde.com