

# patioEX

by MORryde

**Vango**  
AIRBEAM®



**PEAK ROOF DESIGN** allows for increased headroom and more effective rain/water management

**AIRSPPEED® SINGLE POINT INFLATION**  
Quick & easy inflation through one valve

**SENTINEL PRO** - Highly waterproof, double ripstop and reliable fabric

**HEAVY-DUTY POLYETHYLENE GROUNDSHEET**  
Provides a robust, high-sided, waterproof base

The revolutionary and innovative PatioEx is the perfect extension for your toy hauler or 5th wheel trailer. Using Vango AirBeam® technology, it inflates in minutes and attaches to the rear of the trailer or the rear-ramp door frame using magnets. It secures to the ramp door with Vango's registered SkyTrack® system, creating an amazing place to relax. The large windows provide a bright and airy room, while the unique versatile window construction includes mesh mosquito screens, diamond clear windows and decorative privacy shades. Customize your space with Vango's internal SkyTrack® system, enabling you to easily attach lighting or storage.



## THANK YOU FOR BUYING THE PATIOEX

The Great Outdoors. A place to explore, make memories, push your limits, or simply spend time together. It's a place for adventure—big or small, long or short, action-packed or calm, or something in between. Your adventure is out there.

At MORryde, we have a passion for solving problems. Whether fabricating custom solutions, modifying commercial chassis, or engineering innovative products, we cater to a wide range of markets and needs. At MORryde, it's about doing MORE for our customers, and our commitment doesn't stop at the sale.

Designed in collaboration with MORryde and Vango, the PatioEx allows you to expand your space with the reassurance of quality, innovation and peace of mind.

### IN THE BOX

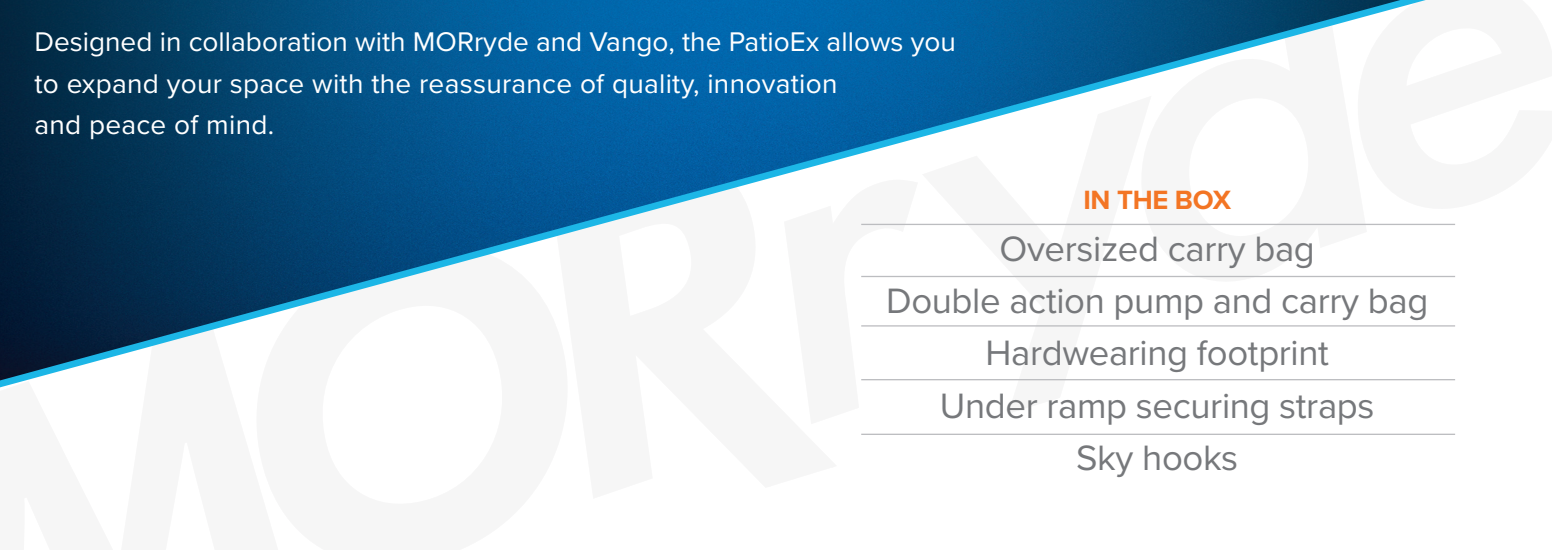
Oversized carry bag

Double action pump and carry bag

Hardwearing footprint

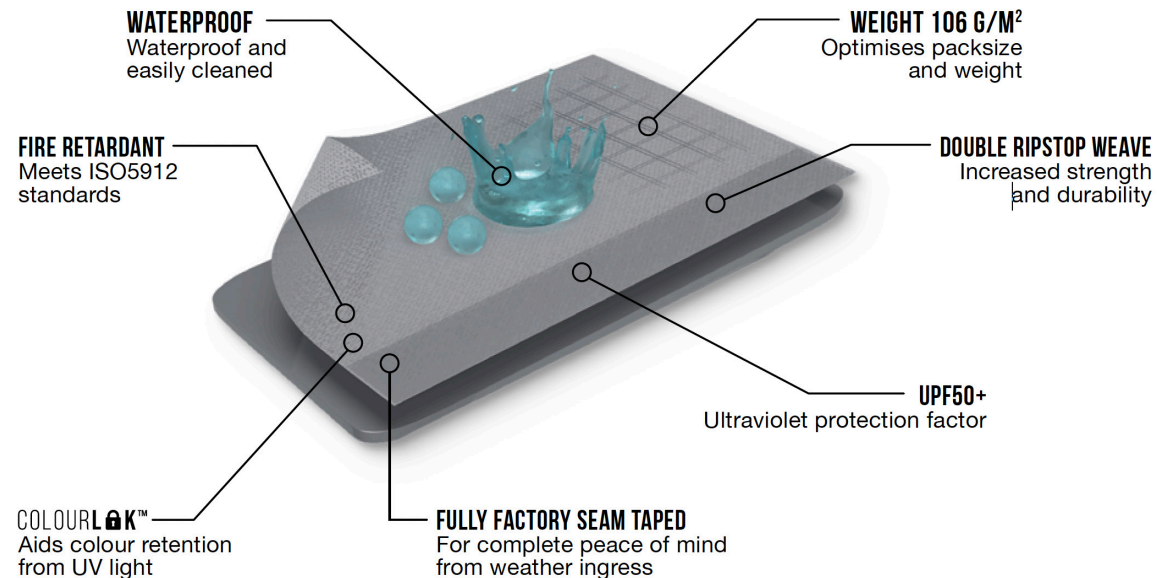
Under ramp securing straps

Sky hooks



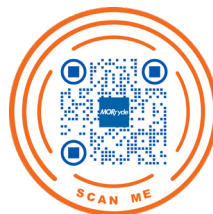
# ABOUT SENTINEL PRO FABRIC

Vango Sentinel Pro fabric is crafted for dedicated motorhome, RV and 5th wheel trailer enthusiasts who embark on multiple trips each year. The blend of fibers and double ripstop weave constructions makes it stronger than standard entry-level awning, ensuring longevity against wear and tear. Vango's ColourLok™ technology enhances resistance to UV fading, and Sentinel Pro is waterproof, performing well in all weather conditions.



## PATIOEX INSTALLATION VIDEO

Scan QR code  
to watch



# KEY FEATURES

- ✓ Expanded Living Area\*
- ✓ Quick and easy to set up and tear down
- ✓ Adjustable shades for privacy
- ✓ Designed with built-in mesh screens to keep bugs out
- ✓ Compact pack size

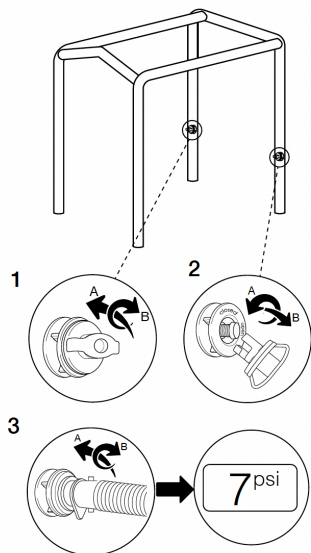


\* Designed for temporary use. See the Owner's Manual, page 13, for details.



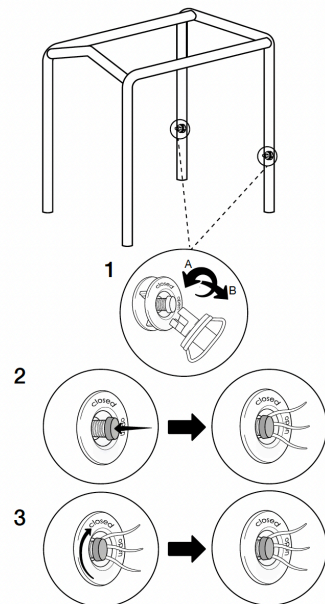
## INFLATING

This awning has two valves. When inflating your awning please ensure one valve is closed while you attach the pump to the other valve.



## DEFLATING

When deflating your awning please open both valves to help the air escape quicker and easier.



# PITCHING INSTRUCTIONS



**EN** - This awning should be erected by at least 2 people

**CZ** - Tento stan by měl být postaven nejméně 2 osobou

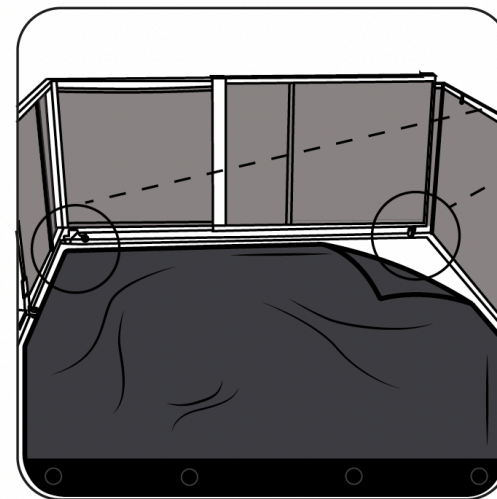
**DE** - Dieses Zelt sollte von mindestens zwei Personen aufgestellt werden

**FR** - Cette tente doit être érigée par au moins 2 personnes

**IT** - Questa tenda deve essere eretta da almeno 2 persone

**NL** - Deze tent moet worden omgeven door minstens 2 personen

**A**



**PATIOEX  
SET UP  
VIDEO**

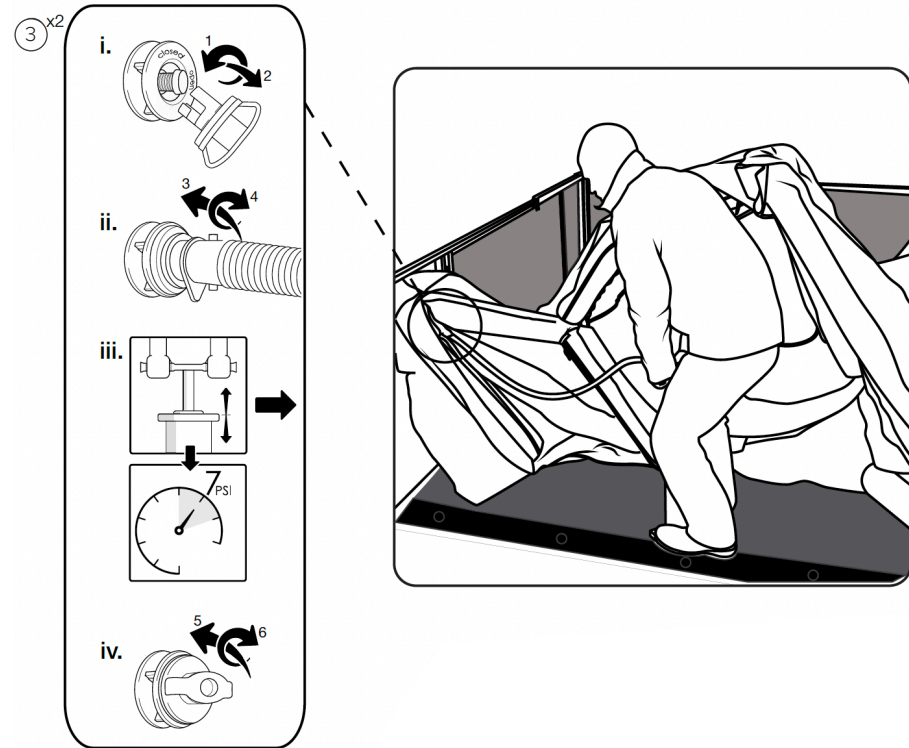
Scan QR code to watch



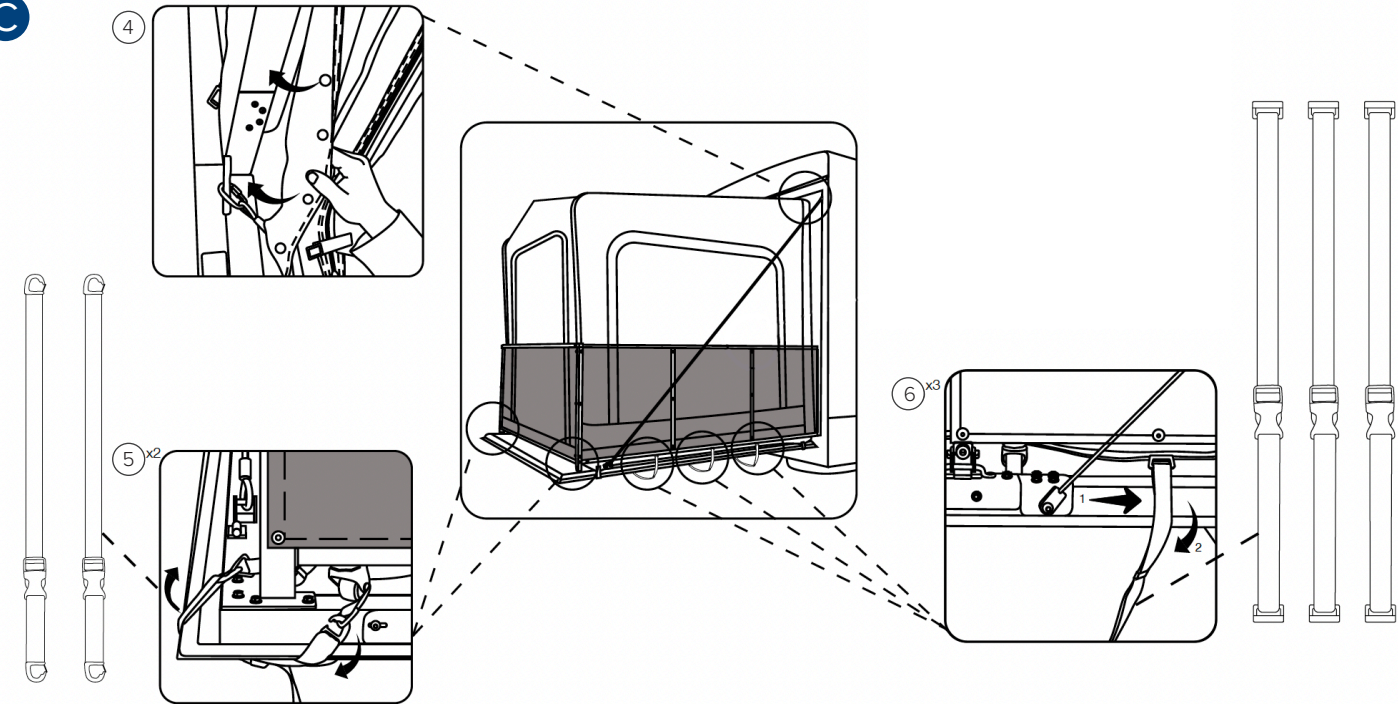
SCAN ME

# PITCHING INSTRUCTIONS

**B**



**C**



# TAKE DOWN & PACKING INSTRUCTIONS



**EN** - This awning should be taken down by at least 2 people

**CZ** - Tento stan by měl být sundán nejméně 2 osobami

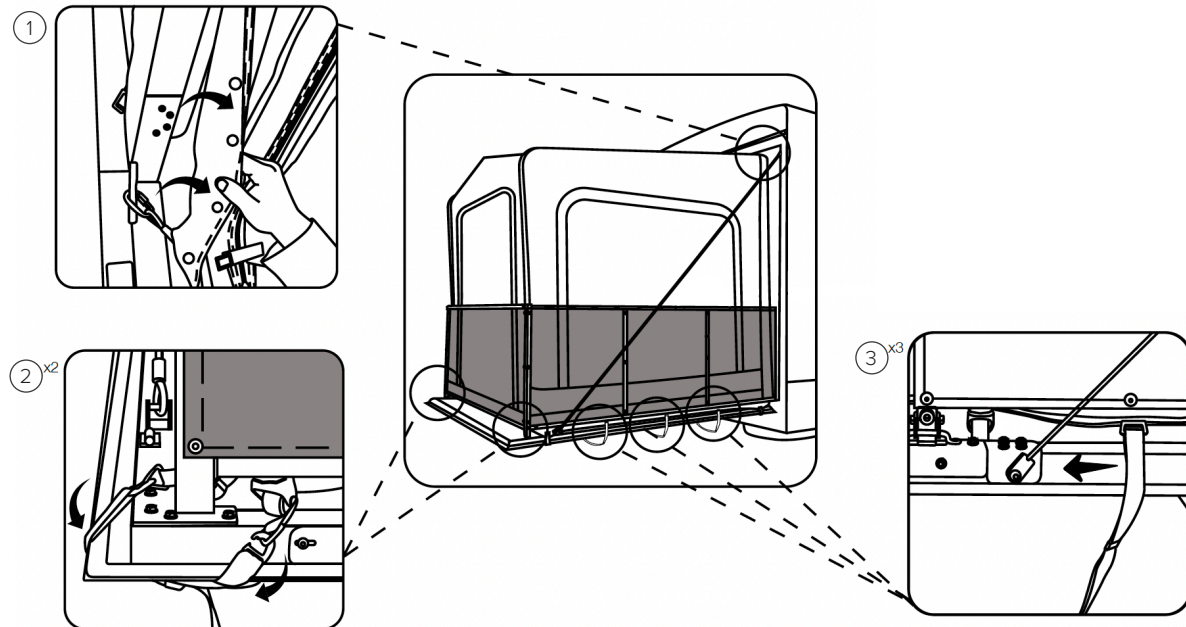
**DE** - Dieses Zelt sollte von mindestens zwei Personen heruntergenommen werden

**FR** - Cette tente doit être prise par au moins 2 personnes

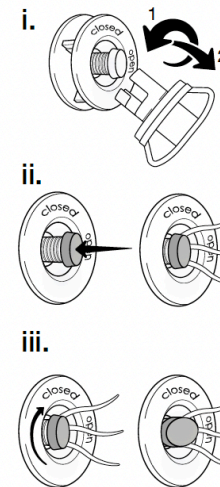
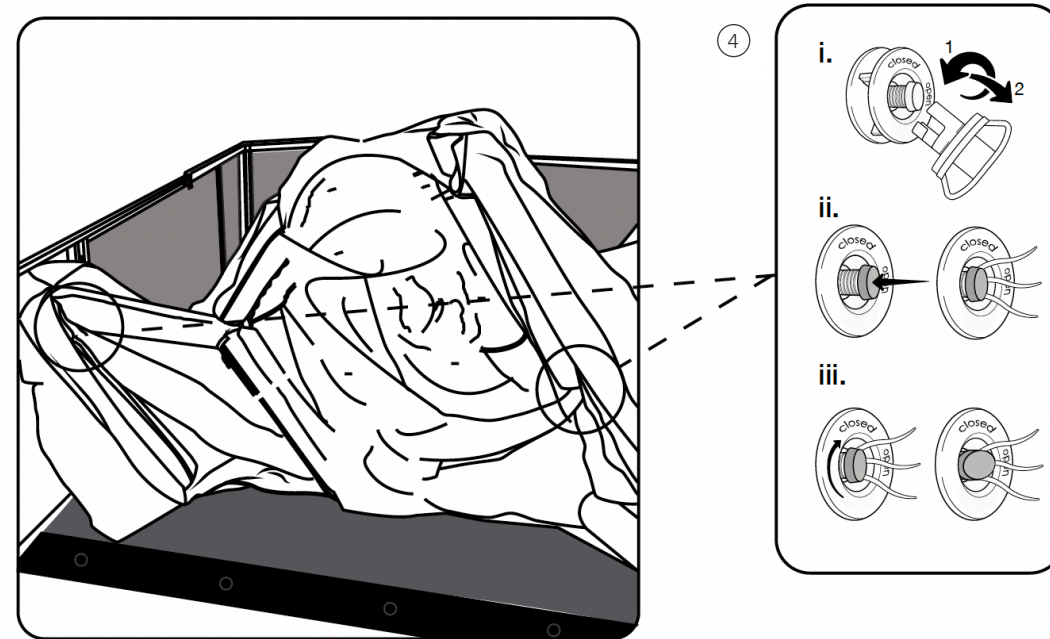
**IT** - Questa tenda deve essere assunto verso il basso da almeno 2 persone

**NL** - Deze tent moet door minstens 2 personen worden genomen

**A**

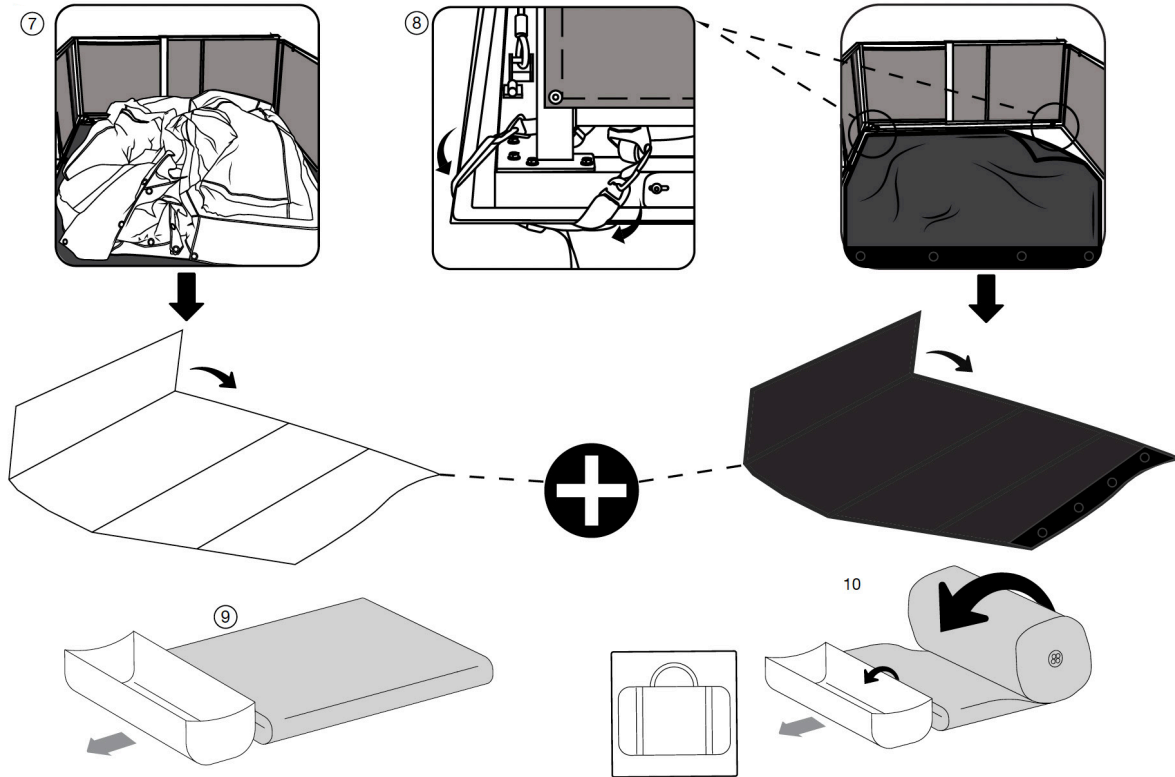


**B**



# TAKE DOWN & PACKING INSTRUCTIONS

C



# CARING FOR YOUR AWNING

## General Use

This awning is designed for normal vacation or weekend use, NOT for extended use.

## Maintaining your AirBeams®

If a beam deflates, first check that all valves are tightly secured. If the issue persists, please contact your retailer or the MORryde customer service team for assistance. Do not unzip AirBeams once inflated, as this may cause them to burst.

## Storage and Maintenance

Whenever possible, pack your awning away when it is dry. If it is wet, dry it thoroughly at the first opportunity, especially if it will be stored for an extended period. Storing awnings while wet can cause mold to grow, which will degrade the fabric. Before storage, remove dirt and stains by washing with a mild soap solution. Never use detergent. Rinse and dry thoroughly.

## Fire and Safety

Awning fabrics **will burn** if left in contact with an open flame, so always keep away from fire. In case of a fire, know where the zipper pullers are for a quick and safe escape. Never use grills, stoves, or any open flames inside your awning.

## Zippers

Never force zippers. Always pitch your awning with the door zippers closed. The life of your awning zippers can be extended by regular cleaning. Use a toothbrush to remove dust and dirt from the zipper teeth.

## Sun Damage

Awning fabrics may weaken and fade with extended exposure to sunlight. However, with normal vacation or weekend use, your awning should last for many years.

## Bad Weather

If rainy weather is anticipated, close all windows. In stormy weather or high winds, it is advisable to take down your PatioEx awning to avoid any damage. After a rain event check for and clear any water that may have pooled between the deck and the awning floor.

For more information on the proper care and maintenance of your PatioEX, please refer to [www.MORryde.com/products/patio-ex](http://www.MORryde.com/products/patio-ex)

# KEEPING CONDENSATION AWAY

## Ventilation and Condensation

All awnings are prone to condensation when the temperature inside becomes warm and humid due to people, heaters, and lack of ventilation. When warm air inside the awning hits the cool fabric, moisture condenses into liquid form.

In a PatioEx awning, the air inside the beams circulates. If the outside temperature is much cooler than inside the awning, the air inside the beams cools quickly, causing the warm, humid air inside to condense on the beams. This moisture can appear as water droplets on the AirBeam® and may even create pools of water at the base of the beams. If conditions are particularly prone to condensation, remove items from around the base of the beams.

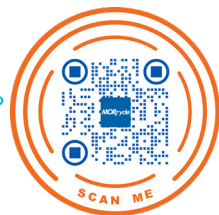
## How to Prevent Condensation.

To prevent condensation, ventilate your awning and reduce internal humidity by promoting good airflow. Examine your awning for venting options and open them to let the moist air escape. If weather conditions permit, leave the upper and lower sections of the door open, keeping the mesh sections fully zipped. Store wet items such as towels, waterproofs, and swimming trunks outside or near a vent or door to keep them from adding to the humidity inside.

Avoid touching the fabric or leaving belongings close to the walls, as pressure can cause water to seep through. When pitching your awning, choose a spot with a natural breeze to reduce condensation and enhance air circulation. Avoid pitching too close to water sources like rivers and lakes, as they can increase humidity.

**PATIOEX 12-MONTH  
LIMITED WARRANTY**

*Scan QR code for details*



# WHAT'S INCLUDED WITH YOUR PATIOEX:

## A Complete Parts Overview



**OPTIONAL  
ACCESSORY:**

Electric Pump



Above. Beyond. Always.

1966 Sterling Avenue • Elkhart, IN 46516

574-293-1581 | sales@MORryde.com | www.MORryde.com

patioEX  
by MORryde

The PatioEx is exclusively distributed in the USA by MORryde



Scan QR code for details