



# EzSTOR

---

## HITCH<sup>®</sup>

QUALIFIER

SP54-254



## BEFORE YOU BEGIN

Please note these compatibility limitations:



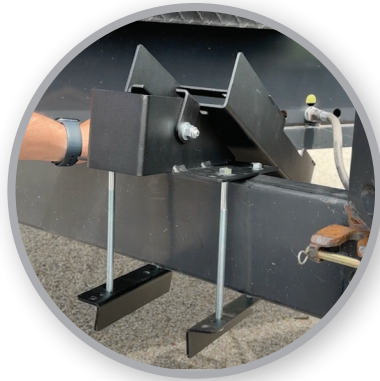
The **EzStor Hitch** attaches to the A-Frame of a towable trailer allowing the user to securely store the trailer's weight distribution bars and hitch when not in use.



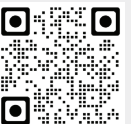
The EzStor Hitch is 9" wide x 15" in length and 6 1/4" tall and can be mounted to either an aluminum or steel A-Frame.



A-frame must be a minimum of 2" wide and 4" tall.



Scan the QR code to watch the installation video.



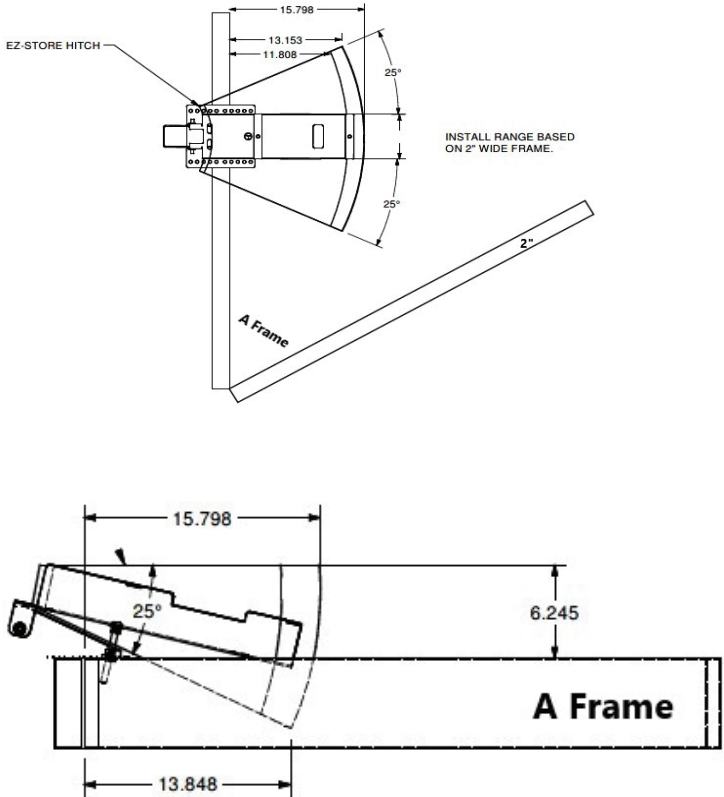
Above. Beyond. Always.

574.293.1581 • [www.MORryde.com](http://www.MORryde.com)

# IMPORTANT

Given the numerous A-Frame design and accessory configurations, it is not practical to provide specific location dimensions. Therefore the below EzStor Hitch dimensions and ranges of vertical / horizontal adjustment provided.

EzStor Hitch must be able to be mounted in such a way that the base, bolts, bar tray and hitch bars will not contact/rub any wiring, cables or gas lines. In order to maximize mounting options, once the EzStor Hitch is mounted, there are a total of 50 degrees of horizontal (left/right) adjustment and 25 degrees of vertical (up/down) adjustment.



Above. Beyond. Always.

