

GOOSETECH IDENTIFICATION GUIDE

GOOSETECH FIT CHART

Cross Reference Guide		Order according to GVWR of the trailer, not the GVW of the pin box.				MORryde Pin Box Rating
MFG	MODEL#	11,500 or less	11,501 - 14,000	14,001 - 18,000	18,001 & over	
Lippert	Rhino	RGN74-FD-03	RGN74-FD-04	RGN74-FD-05	RGN74-FD-06	24k
Lippert	1621SHD	RGN74-1621SHD-03	RGN74-1621SHD-04	RGN74-1621SHD-05	RGN74-1621SHD-06	24k
Lippert	1116	RGN74-1116-03	RGN74-1116-04	RGN74-1116-05	RGN74-1116-06	19k
Lippert	1716	RGN74-1716-03	RGN74-1716-04	RGN74-1716-05	N/A	18k

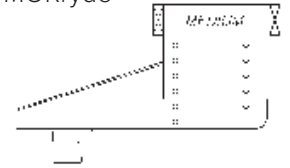
What type of Pin Box do you have?

A. After locating the label, locate the model/part number. Example: Lippert Rhino.

Part Number: _____

C. If a manufacturer's label cannot be located, get the last six digits of the coach serial number, call the coach manufacturer, and ask them what make and model pin box was installed on your coach.

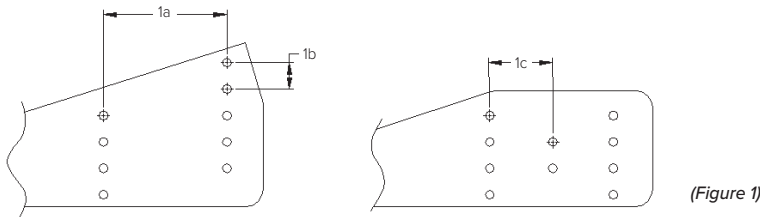
D. If you are unsuccessful in acquiring the information above, get the following measurements and a MORryde representative will help in determining which pin box you will need.



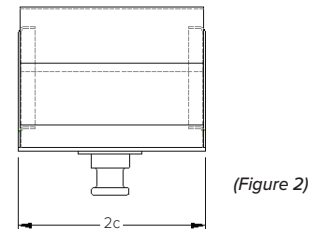
Pin Box Measurements

1. Measure the bolt hole pattern. (Figure 1)

- _____ 1a. Horizontal distance between the rows of bolts. Measure from the hole center to hole center.
- _____ 1b. Vertical distance from hole center to hole center.
- _____ 1c. If there are three rows of bolt holes, measure the horizontal distance from hole center to hole center.
- _____ 1d. Number of bolts per side



(Figure 1)



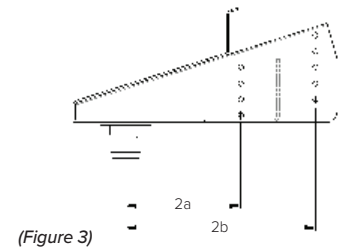
(Figure 2)

2. Measure king pin center. (Figure 2)

- _____ 2a. Measure from center of the front row of bolts to centerline of the king pin.
- _____ 2b. Measure from center of the rear row of bolts to centerline of the king pin.
- _____ 2c. Measure the overall width of the pin box.

3. Double check your measurements. (Figure 3)

_____ $2b - 2a = 1a$



(Figure 3)



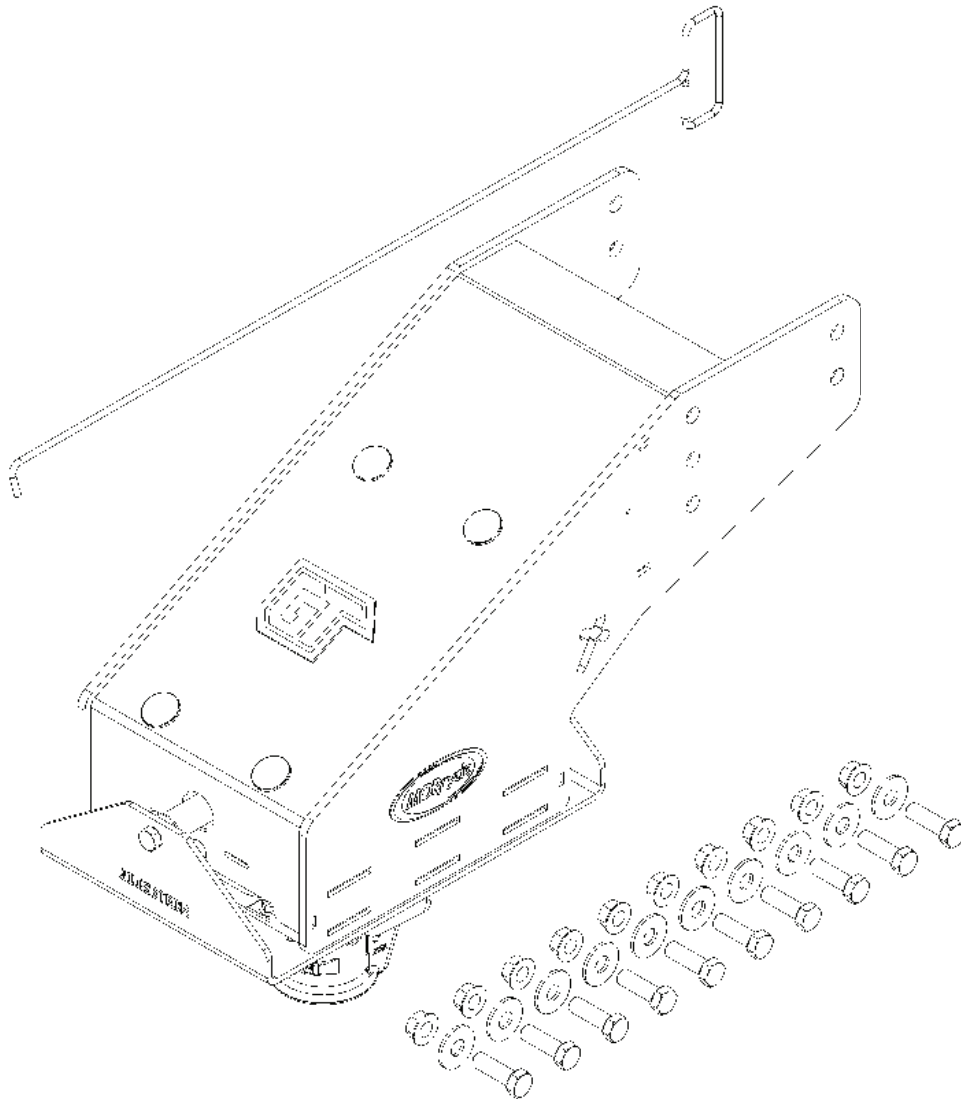
Above. Beyond. Always.

574.293.1581
www.MORryde.com

GOOSETECH IDENTIFICATION GUIDE

GOOSETECH MEASUREMENT CHART

Identification Guide Questions		1	2a	2b	2c	2d	2e	2f	3a	3b	3c
GooseTech Box	Replaces OEM	Style	Horz. Dist.	Vert. Dist.	Center Dist.	Bolt Size	Bolt Head Size	Bolts/Side	Front Row to KP	Back Row to KP	Pin Box Width
RGN74-FD	Lippert Rhino	Med.	7 1/2	2	N/A	5/8	15/16	5	13 1/4	20 3/4	12
RGN74-1621SHD	Lippert 1621	Long	7 7/8	2	N/A	5/8	15/16	5	17 3/4	25 5/8	12
RGN74-1116	Lippert 1116	Med.	8 3/4	2 1/2	4 3/8	5/8	15/16	6	14 1/2	23 1/4	12 1/2
RGN74-1716	Lippert 1716	Long	8 3/4	2 1/2	4 3/8	5/8	15/16	6	20 3/8	29 1/8	12 1/2



Above. Beyond. Always.

574.293.1581
www.MORryde.com