



RUBBER SPRING REPLACEMENT GUIDE

INSTRUCTIONS

Refer to the Parts List and graphic on the following page.

1. Use a 9/16" socket and remove the 4 bolts (#3) securing the cover plate (#2).
2. Remove the 2 retainment rod bolts (#5) using a 13/16" socket. It may be necessary to secure the retainment rod (#4) with locking pliers.
3. Support the coupler assembly (#10) and utilize assistance from a second person to avoid a sudden drop or wedging of the coupler assembly.
4. Remove the two rubberized access plugs (#6) located on the top and closest to the front of your upper mounting assembly (#1).
5. Use the 11/16" socket, short extension and ratchet/impact gun to remove the two nuts (#8) securing the front of the rubber spring (#7) to the upper mounting assembly.
6. Use the 11/16" socket and ratchet to remove the remaining two rubber spring nuts (#8). **Note:** Utilize the opening in the back of the box (created by removal of the cover plate in Step 1) to access the rearmost rubber spring nuts.
7. Lower the coupler assembly and place it on a good working surface. Remove the 4 bolts (#9) and nuts, securing the rubber spring to the coupler assembly using a 5/8" socket and 11/16" wrench.
8. Using the same nuts and bolts, reinstall the new rubber spring onto the coupler assembly and torque to 55 ft-lbs using the 5/8" socket and 11/16" wrench.
9. Lift the coupler assembly up to the upper mounting assembly and tighten the nuts onto the studs of the rubber spring and torque to 55 ft-lbs using an 11/16" socket.
10. Reinstall the retainment rod and torque the bolts to 90 ft-lbs using the 13/16" socket.
11. Reinstall the cover plate and tighten the bolts until snug—*do not over-torque*.
12. Reinstall the front access plugs.

Tools Required:

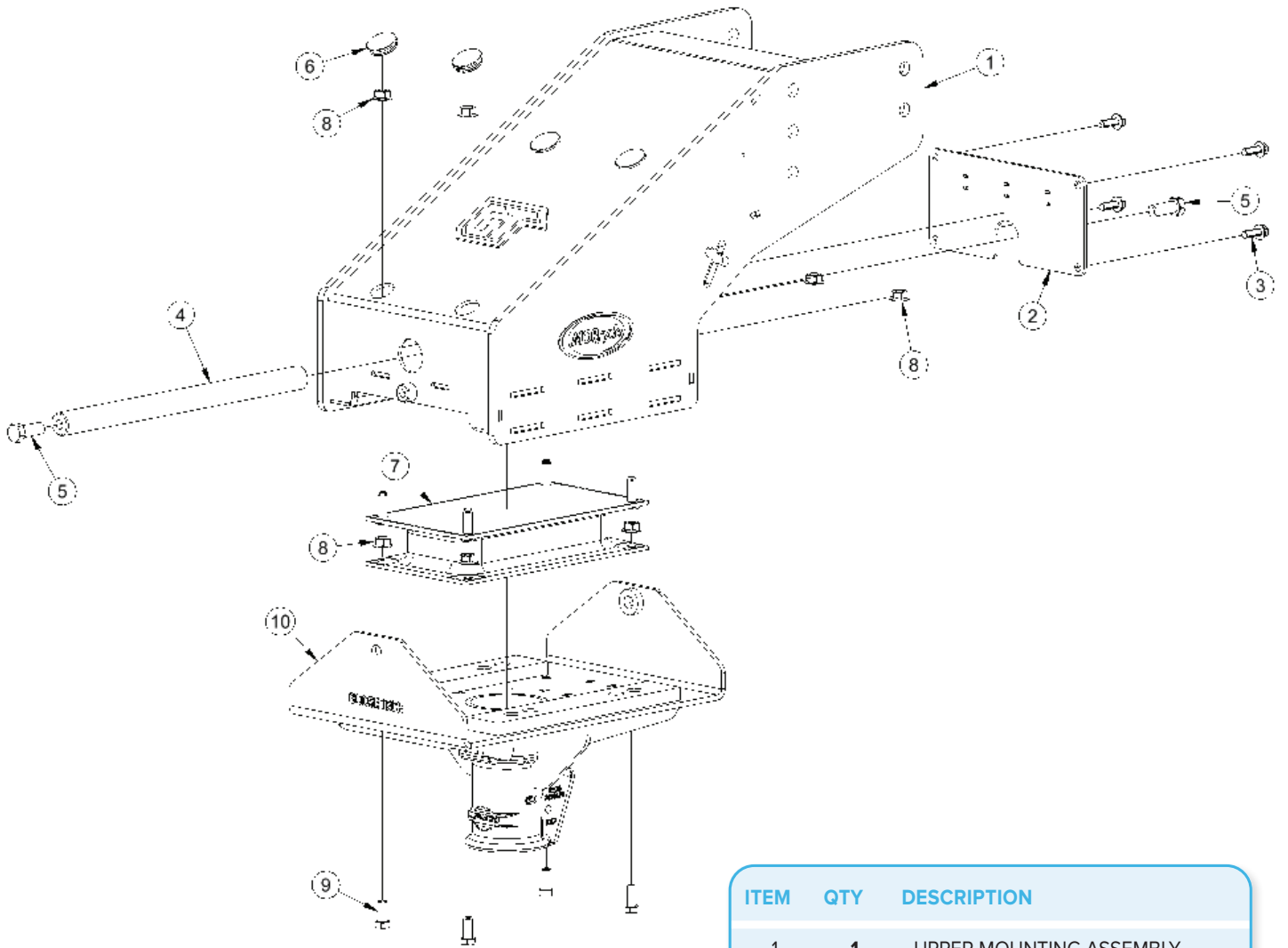
9/16" Socket
5/8" Socket
11/16" Socket
11/16" Wrench
13/16" Socket
Impact Gun or Ratchet
Short Socket Extension
Safety Glasses
Gloves
Locking Pliers
Torque Wrench



Above. Beyond. Always.

574.293.1581
www.MORryde.com

GOOSETECH | RUBBER SPRING REPLACEMENT GUIDE



ITEM	QTY	DESCRIPTION
1	1	UPPER MOUNTING ASSEMBLY
2	1	COVER PLATE
3	4	COVER PLATE 5/16-18 BOLT
4	1	RETAINMENT ROD
5	2	RETAINMENT ROD BOLT
6	4	ACCESS PLUG
7	1	RUBBER SPRING
8	8	RUBBER SPRING NUT
9	4	RUBBER SPRING BOLT
10	1	COUPLER ASSEMBLY

Version 3



Above. Beyond. Always.

574.293.1581
www.MORryde.com