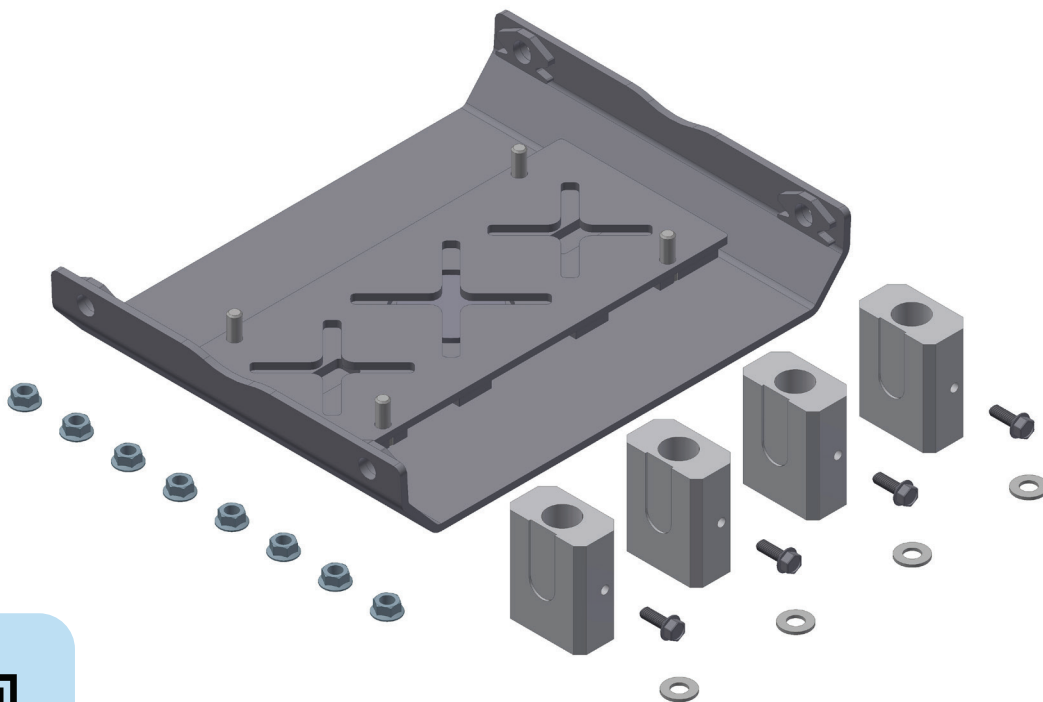




# GOOSENECK/ANDERSON HITCH ADAPTER

INSTALLATION INSTRUCTIONS



SCAN ME for the  
Installation Video



Above. Beyond. Always.

RPB77-006 | 1

574.293.1581  
www.MORryde.com



Above. Beyond. Always.

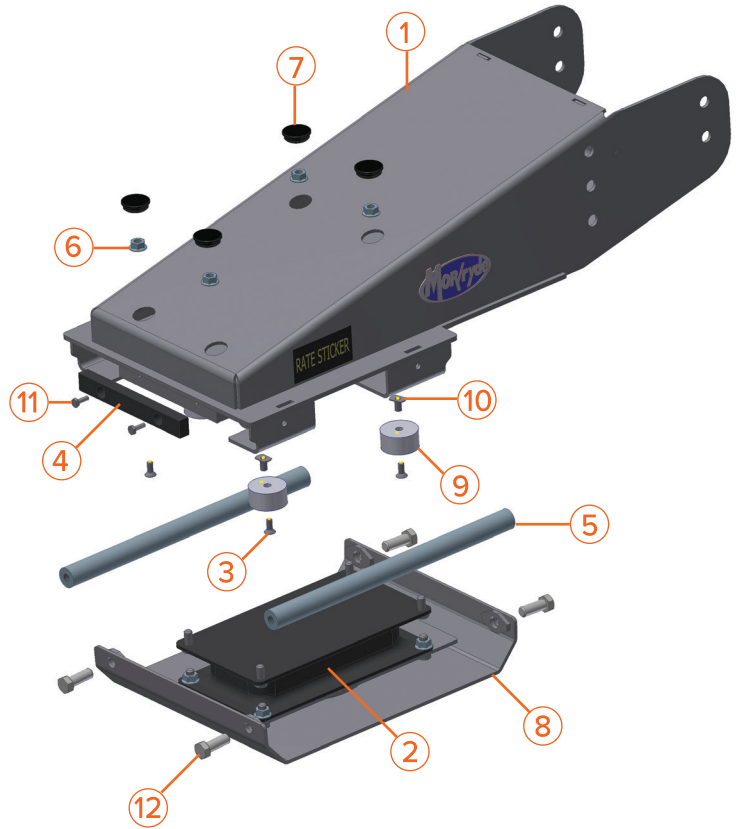
RPB77-006 | 2

574.293.1581  
[www.MORryde.com](http://www.MORryde.com)

# GOOSENECK/ANDERSON HITCH ADAPTER

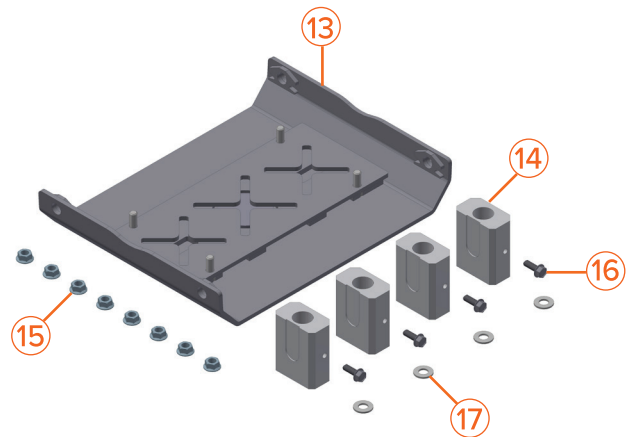
## PARTS LISTING

Item	Qty	Description
1	1	Upper Mounting Assembly
2	1	Shear Spring
3	4	5/16-18 Buttonhead Bolts
4	2	Rubber Compression Bumpers
5	2	Retention Rods
6	8	7/16-14 Flange Nuts
7	4	Access Plugs
8	1	Lower Skid Pad Assembly
9	3	Glide Pad/Discs
10	2	5/16-18 T-Nuts
11	4	1/4-20 Self Tapping Screws
12	4	9/16-12 Bolts
13	1	Heavy-Duty Skid Plate
14	4	Stability Blocks
15	8	7/16"-14 Flange Nuts
16	4	3/4" Screws
17	4	7/16" Washers



### Tools Required:

- 13/16" Socket & Wrench
- 11/16" Socket & Wrench
- 1/2" Socket & Wrench
- Torque Wrench
- Impact Gun
- Breaker Bar
- (2) Locking Pliers



# GOOSENECK/ANDERSON HITCH ADAPTER

## PREPARATION

### General Safety & Warnings:

- ⚠ WARNING** Read and understand all instructions and warnings prior to installation.
- ⚠ WARNING** You are personally responsible for following safe installation procedures and completing appropriate safety checks.
- ⚠ WARNING** Be sure the unit is parked on level ground, the ignition is off, the emergency brake is engaged, and the wheels are properly chocked.
- ⚠ WARNING** The gooseneck adapter (sold separately) **MUST** be welded to the MORryde heavy-duty skid plate for gooseneck adapters. Do not bolt the gooseneck adapter to the MORryde skid plate as the bolts will interfere with the glide pads and not allow proper travel. The only exceptions to this are the Andersen Hitch and the Pullrite SuperLite.

**NOTE:** Using a gooseneck adapter coupler with a MORryde Pin Box may void the frame warranty of your 5th wheel. For this reason, we recommend that you contact the trailer manufacturer to determine whether a gooseneck adapter can be used. You should also be aware that gooseneck adapters increase the applied torque to the frame structure of the trailer which may lead to structural failures. If you still wish to utilize a gooseneck adapter with the MORryde Pin Box, you **MUST** purchase and install a MORryde Gooseneck Adapter Kit with heavy-duty skid plate (Part #RPB77-006). Even with the installation of the heavy-duty skid plate, you assume all liability and risk of property damage and personal injury associated with the use of the gooseneck adapter.

**NOTE:** MORryde does not manufacture gooseneck adapter couplers, only the parts to allow use of them with our Pin Boxes. The use of a gooseneck adapter voids the warranty of the MORryde Pin Box.

**NOTE:** If installing a gooseneck adapter other than an Anderson Ultimate 5th Wheel Connection adapter or PullRite SuperLite adapter, you will need to grind off the powder coat (if present) from the heavy-duty skid plate and weld the gooseneck adapter to the heavy-duty skid plate. Allow parts to cool before installing them.

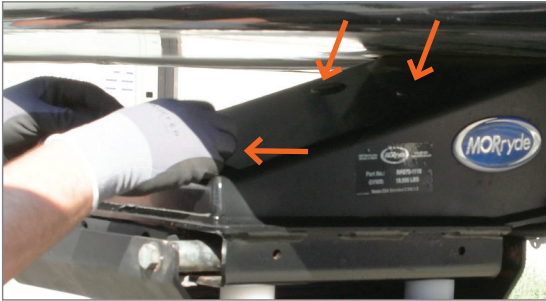


# GOOSENECK/ANDERSON HITCH ADAPTER

## INSTALLATION

### STEP 1

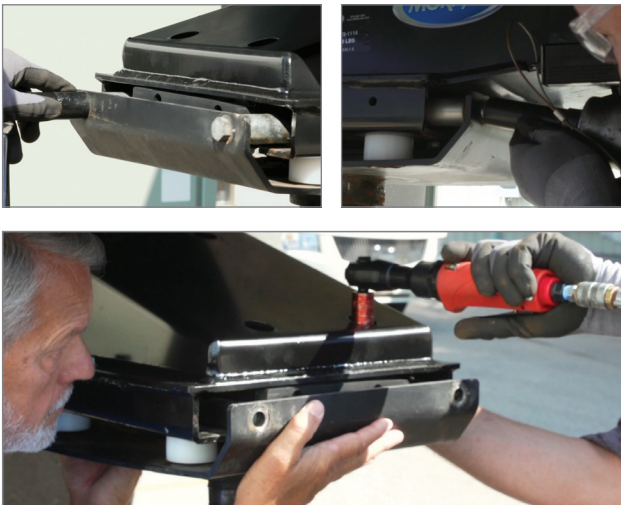
Remove the rubber plugs.



### STEP 2

With the help of another person, using a 13/16" socket and wrench, remove the (4) 9/16-12 retainment rod bolts. Then, using an 11/16" socket or wrench, remove the (4) 7/16-20 flange nuts that attach the rubber shear spring to the upper mounting column.

**NOTE:** It may be necessary to secure the retainment rods with large locking pliers to keep them from rotating when removing the bolts. Have another person support the skid before removing the last nut from the rubber shear spring.



### STEP 3

Using an 11/16" wrench, remove the (4) 7/16-14 flange nuts that secure the shear spring to the lower skid plate.



### STEP 4

Using the supplied (4) 7/16-14 flange nuts and wrench, install the shear spring onto the heavy-duty skid plate for gooseneck adapter. Tighten until secure.

**NOTE:** 7/16-14 bolts are not welded directly to the skid plate but are locked out against rotation.



Above. Beyond. Always.

RPB77-006 | 5

574.293.1581  
www.MORryde.com

# GOOSENECK/ANDERSON HITCH ADAPTER

## INSTALLATION

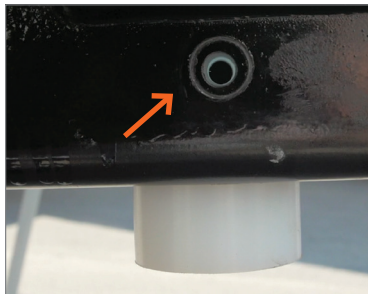
### STEP 5

In the channel above each of the (4) glide discs, install the stability blocks from the gooseneck adapter kit. The slotted area of the blocks should point inward toward the glide disc.



### STEP 6

Make sure to align the stability block so that you can install the supplied bolts.



### STEP 7

Install the other 2 blocks on the other side of the pin box.

### STEP 8

Place the supplied washers on the (4) 3/8-16 x 1" hex washer thread rolling bolts and install them. Tighten the bolts until they are snug against the channel. The bolts will not loosely fit through the holes in the channel. They create their own threads in the hole as you tighten them.



### STEP 9

Insert the retainment rods.



Above. Beyond. Always.

RPB77-006 | 6

574.293.1581  
www.MORryde.com

# GOOSENECK/ANDERSON HITCH ADAPTER

## INSTALLATION

### STEP 10

With the help of another person, lift the skid plate and rubber shear spring assembly into place. Reinstall the (4) 7/16-14 flange nuts through the holes in the top of the upper mounting column using an 11/16" socket or wrench. Do not torque yet.



### STEP 11

Reinstall the (4) 9/16-12 retainment rod bolts using a 13/16" socket or wrench and locking pliers if necessary. Torque to 90 ft-lbs.



### STEP 12

Torque the (4) 7/16-14 flange nuts through the holes in the top of the upper mounting column using the 11/16" socket. Torque up to 55 ft-lbs.

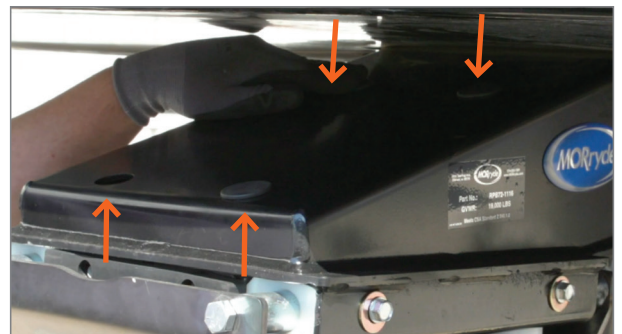


### STEP 13

Torque the remaining 2 nuts in the rear.

### STEP 14

Reinstall the rubber access plugs.



Above. Beyond. Always.

RPB77-006 | 7

574.293.1581  
www.MORryde.com

At MORryde, we have a passion for solving problems. Whether we're fabricating custom solutions, modifying a commercial chassis, or creating our innovative products, we answer to a wide range of markets and deliver on a variety of needs. At MORryde, it's simply about doing MORE for our customers, and it doesn't stop at the sale. We stand behind our products, believing in quality first, service always. No matter the issue, we'll be the first to respond and the last to be satisfied. In short, we build better — together.



Questions? Contact the Parts Department at **574-293-1581** or email [parts@morryde.com](mailto:parts@morryde.com).



Above. Beyond. Always.

RPB77-006 | 8

**574.293.1581**  
[www.MORryde.com](http://www.MORryde.com)