

JP54-017

# SPARE TIRE CARRIER

INSTALLATION INSTRUCTIONS



## Tools Needed

- 13mm or 1/2" socket and driver
- 4mm Allen wrench
- T20 Torx bit

## STEP 1

Remove spare tire carrier using 13mm or 1/2" socket/wrench.



## STEP 2

Remove the screws at the rear of the 3rd brake light housing with a T-20 torx bit to remove the 3rd tail light from the stock carrier.



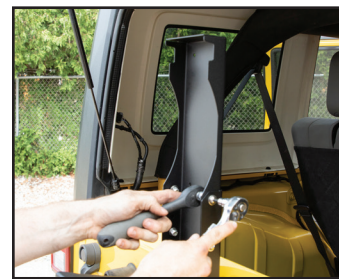
## STEP 3

Attach the lower portion of the adjustable light support to the top of the tire carrier with provided hardware (1/4-20 X 3/4" BHCS, 1/4-20 Nylock nuts and 1/4" washers) use a 5/32" allen wrench and 7/16" wrench.



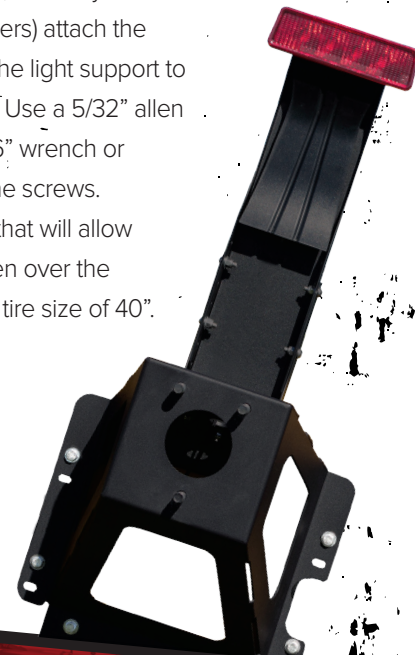
## STEP 4

Bolt the carrier to the tailgate using a 13mm or 1/2" socket/wrench previously removed in STEP 1. If using with the tailgate reinforcement then use the hardware provided with that kit.



## STEP 5

Using the provided hardware (1/4-20 X 3/4" BHCS, 1/4-20 Nylock nuts and 1/4" washers) attach the upper portion of the light support to the lower portion. Use a 5/32" allen wrench and a 7/16" wrench or socket to install the screws. Select a position that will allow the light to be seen over the top of spare. Max tire size of 40".



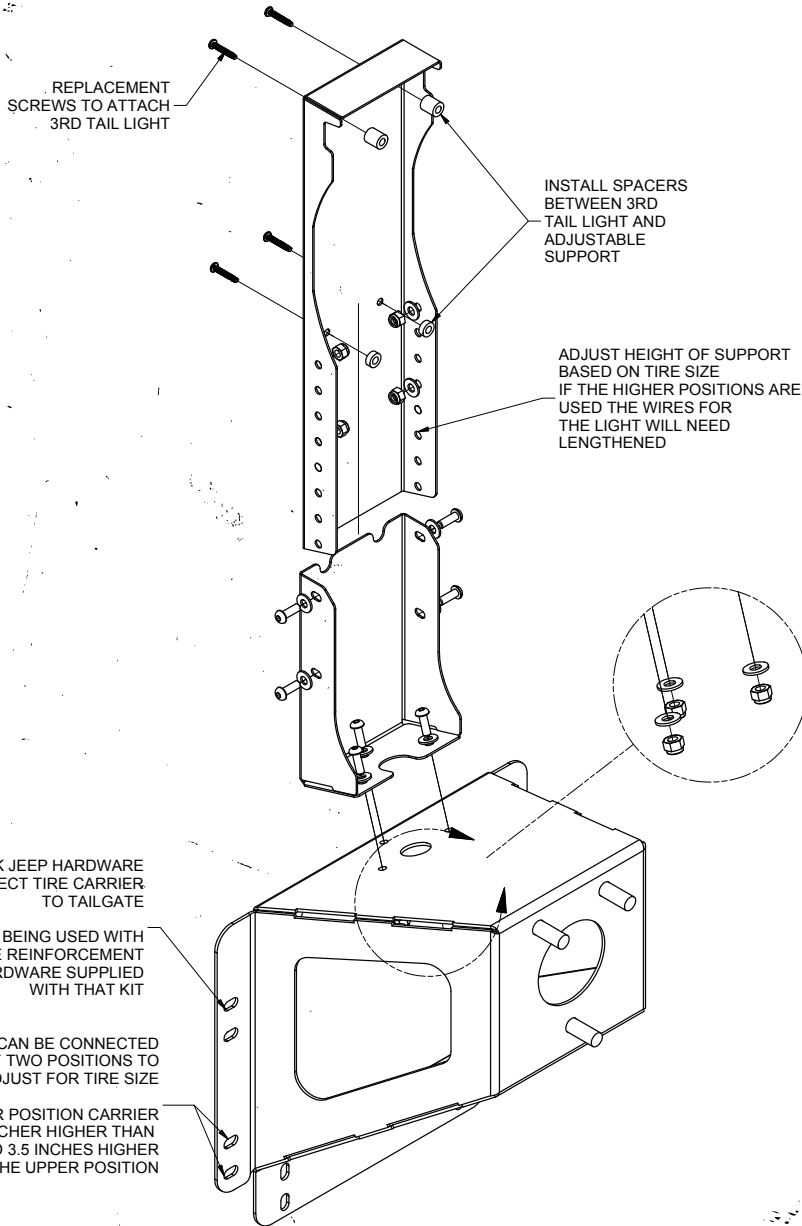
# MORryde

## HEAVY. DUTY. ADVENTURE.

# SPARE TIRE CARRIER



## INSTALLATION INSTRUCTIONS



### STEP 6

Route the wires for the light through the hole in the top of the carrier. Depending on the adjusted location of the light support, the wires for the light may need to be lengthened.



### STEP 7

Attach the 3rd tail light assembly to upper portion of adjustable light support using provided 8-16x1 screws and spacers.

**PREPARE FOR ADVENTURE**

Pair the Spare with MORryde's Rear Mount Tray

**MORryde**

**HEAVY. DUTY. ADVENTURE.**