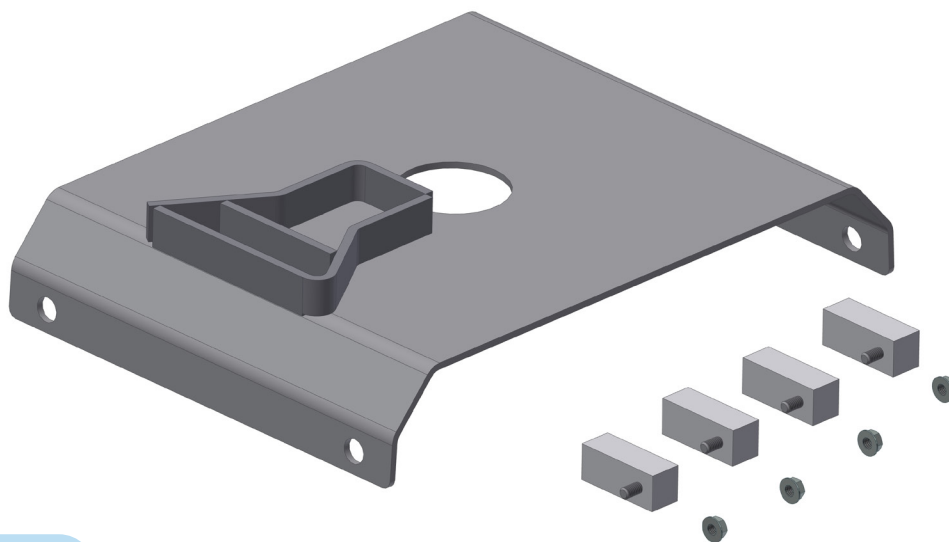




PULLRITE SUPERGLIDE HITCH ADAPTER

INSTALLATION INSTRUCTIONS



SCAN ME for the
Installation Video

RPB77-001 | 1



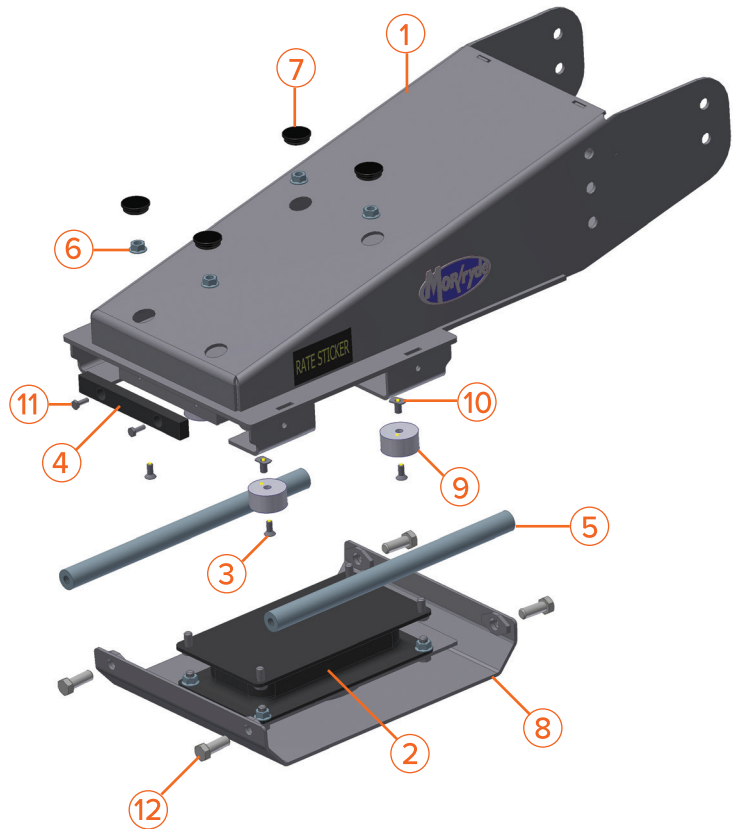
Above. Beyond. Always.

574.293.1581
www.MORryde.com

PULLRITE SUPERGLIDE HITCH ADAPTER

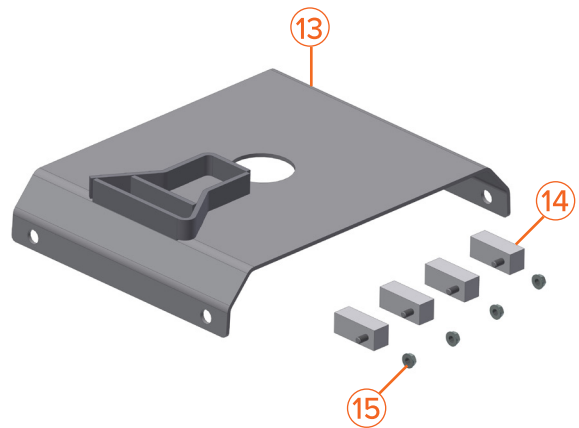
PARTS LISTING

Item	Qty	Description
1	1	Upper Mounting Assembly
2	1	Shear Spring
3	4	5/16-18 Buttonhead Bolts
4	2	Rubber Compression Bumpers
5	2	Retention Rods
6	8	7/16-14 Flange Nuts
7	4	Access Plugs
8	1	Lower Skid Pad Assembly
9	3	Glide Pad/Discs
10	2	5/16-18 T-Nuts
11	4	1/4-20 Self Tapping Screws
12	4	9/16-12 Bolts
13	1	Heavy-Duty Skid Plate
14	4	Stability Pads
15	4	5/16-18 Flange Nuts



Tools Required:

- 13/16" Socket & Wrench
- 11/16" Socket & Wrench
- 1/2" Socket & Wrench
- Torque Wrench
- Impact Gun
- Breaker Bar
- (2) Locking Pliers



PULLRITE SUPERGLIDE HITCH ADAPTER

PREPARATION

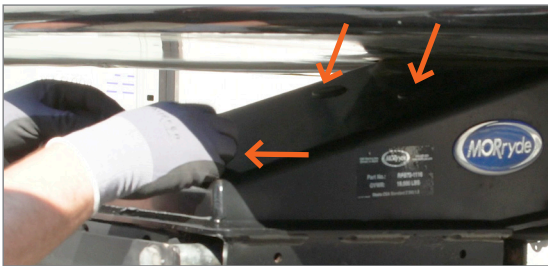
General Safety & Warnings:

- ⚠ WARNING** Read and understand all instructions and warnings prior to installation.
- ⚠ WARNING** You are personally responsible for following safe installation procedures and completing appropriate safety checks.
- ⚠ WARNING** Be sure the unit is parked on level ground, the ignition is off, the emergency brake is engaged, and the wheels are properly chocked.

INSTALLATION

STEP 1

Remove the rubber plugs.



STEP 2

Using a 13/16" socket and wrench, remove the (4) 9/16-12 retainment rod bolts.

NOTE: It may be necessary to secure the retainment rods with large locking pliers to keep them from rotating when removing the bolts.



STEP 3

Using an 11/16" socket or wrench, remove the (4) 7/16-20 flange nuts that attach the rubber shear spring to the upper mounting column.

NOTE: Have another person support the skid pad before removing the last nut from the rubber shear spring.



STEP 4

Remove the retainment rods.



Above. Beyond. Always.

RPB77-001 | 3

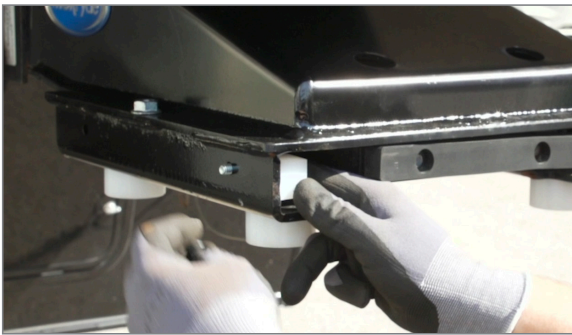
574.293.1581
www.MORryde.com

PULLRITE SUPERGLIDE HITCH ADAPTER

INSTALLATION

STEP 5

Insert the (4) stability blocks into the front and rear of the two channels along the curb and road sides of the upper mounting column. Install the 5/16-18 flange nuts and tighten with a 1/2" socket or wrench.



STEP 6

Insert the retainment rods back into the channels.



STEP 7

Position the PullRite Adapter Plate on to the MORryde lower skid pad assembly. Clamp the skid pad in place using a pair of locking pliers. With the help of another person, install the skid pad and PullRite Adapter Plate to the upper pin box assembly and orient it such that the wedge is towards the rear of the pin box. Install the 7/16-14 serrated flange nuts on the threaded studs attached to the rubber shear spring and tighten them down.



Above. Beyond. Always.

RPB77-001 | 4

574.293.1581
www.MORryde.com

PULLRITE SUPERGLIDE HITCH ADAPTER

INSTALLATION

STEP 8

Use the second locking pliers to clamp the skid pad and adapter plate near one of the retainment rod holes. Align the retainment rod and hand thread one of the 9/16-12 bolts. Move the first locking pliers near the opposite end of the skid pad, clamp down, and hand thread the next bolt. Remove the locking pliers and place them on the opposite side of the skid pad and hand thread the remaining bolts in the other retainment rod. Then use a 13/16" socket and wrench to tighten down the bolts.



STEP 9

Using a torque wrench and 13/16" socket, torque all (4) retainment rod bolts to 90 ft-lbs. Torque all (4) flange nuts through the holes in the top of the upper mounting column using an 11/16" socket to 55 ft-lbs. Replace the rubber plugs.



Questions? Contact the Parts Department at 574-293-1581 or email parts@morryde.com.



Above. Beyond. Always.

RPB77-001 | 5

574.293.1581
www.MORryde.com