

# TV5-021H

## TELEVISION MOUNT

### INSTALLATION INSTRUCTIONS



Thank you for choosing a MORryde television mount! This low profile rigid mount is designed for easy removal and attachment of a flat screen TV without needing to unscrew it from the mount.

### Key Features and Benefits

- Includes 2 docking plates
- Up to 200 x 200 VESA pattern
- Move entertainment wherever you want it

#### Range of Motion\*

- Rigid Wall Mount

### Parts List

1. TV Wall Mount Bracket
2. TV Mount Plate
3. Hardware Pack

**⚠ WARNING** Improper installation may cause property damage or personal injury. The mounting surface may require reinforcement as it must be capable of supporting five times the combined weight of the television and the mount.

The installer assumes all responsibility of verifying that any installation method and mounting surface securely support the television and mount. MORryde is not liable for property damage or injury caused by incorrect mounting, installation methods not recommended by MORryde, hardware not provided by MORryde, or incorrect use of the mount during travel or otherwise.

### Product and Safety Information

The TV5-021H mounts flat panel televisions or monitors to a vertical surface.

**NOTE:** This mount is not intended for use on brick, concrete, concrete block.

#### VESA\* Mounting Plates

- 75mm x 75mm
- 100mm x 200mm
- 100mm x 100mm
- 200mm x 200mm

\* Video Electronics Standards Association

#### Weight Capacity

- 50 lbs

## Preparation

### Television Stand

If applicable, remove the original base stand in accordance with the television owner's manual.

### Hardware

Use appropriate hardware for securing your television to the mount and mounting your television to the mounting surface.



M4x12mm Bolt (4)



M5x12mm Bolt (4)



M6x12mm Bolt (4)



1/4" x 1" Lag Bolt (8)



M6 Flat Washer (8)



#10 Flat Washer (8)



1/4" Flat Washer (8)

## Installation

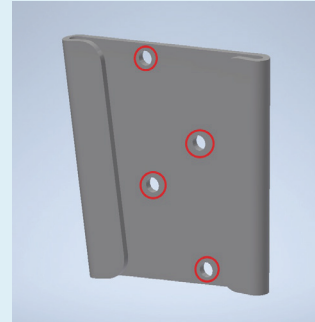
**⚠ WARNING** Using mounting hardware too long for your application may puncture exterior structures.

**⚠ WARNING** If your television came with a stand, please remove the stand by referring to your television's owners manual and ensure the hardware has been removed from the mounting holes.

### STEP 1

#### Confirm the strength/stability of the mounting surface.

If necessary reinforce the mounting surface to ensure the security of the wall mount bracket. Using the mounting hardware (included) best suited for your application, secure the wall bracket to the mounting surface.

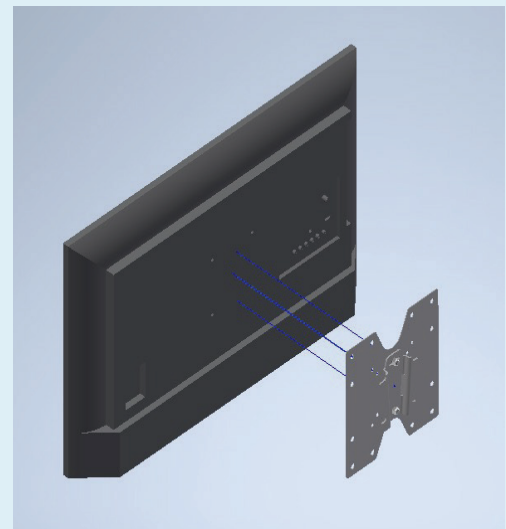


### STEP 2

With the screen face down, place the TV on a soft, flat surface and locate the mounting points on the back of the TV. If necessary, pry off any plastic caps covering the mounting holes with a flat head screw driver.

### STEP 3

Align the holes on the TV Mounting Plate with the mounting holes on the back of the TV and use the most suitable mounting hardware (included), to affix the TV to the Mounting Plate.



### STEP 4

Lift the TV and mount assembly up and slide the adaptor plate into the wall mount bracket that was affixed to the mounting surface in step one.

## Warranty

Please Visit [www.MORryde.com](http://www.MORryde.com) for warranty information.

If you have questions about the installation process, please call our customer service department at **574.293.1581** for assistance.