



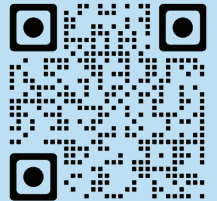
ADD-A-STEP

INSTALLATION INSTRUCTIONS



PATENT PENDING

STP54-075
STP54-076



SCAN ME for the
Installation Video



Above. Beyond. Always.

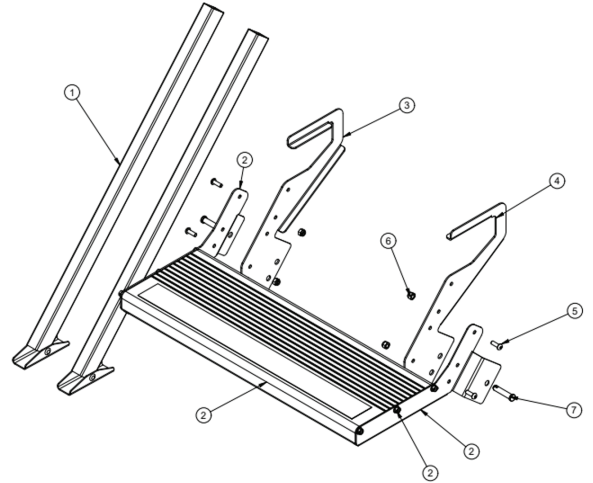
ADD-A-STEP

INSTALLATION INSTRUCTIONS

PARTS LIST

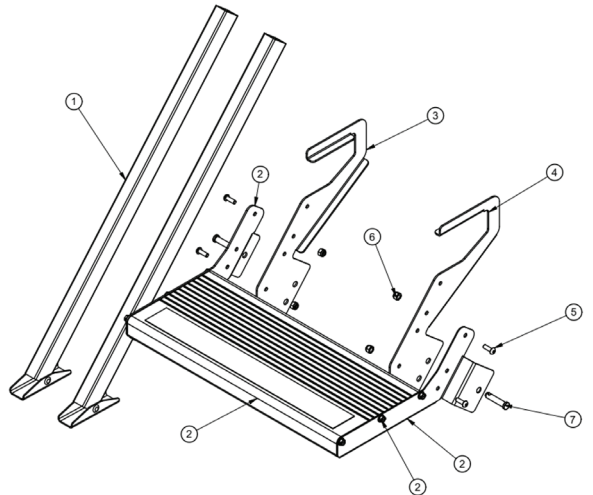
STP54-075 | 23.5" STEP TREAD

ITEM	QTY	DESCRIPTION	PART #
1	2	LEG ASSEMBLY	STP57-598
2	1	BASE ASSEMBLY	STP57-652
3	1	LEFT BRACKET	STP209-913L
4	1	RIGHT BRACKET	STP209-913R
5	4	1/4-20 X 3/4" LONG BHCS	UO115-141
6	4	1/4-20 NYLON HEX NUT	UO116-078
7	2	3/8" OD X 1-3/8" LONG PIN	UO136-3995



STP54-076 | 19.5" STEP TREAD

ITEM	QTY	DESCRIPTION	PART #
1	2	LEG ASSEMBLY	STP57-598
2	1	BASE ASSEMBLY	STP57-652
3	1	LEFT BRACKET	STP209-913L
4	1	RIGHT BRACKET	STP209-913R
5	4	1/4-20 X 3/4" LONG BHCS	UO115-141
6	4	1/4-20 NYLON HEX NUT	UO116-078
7	2	3/8" OD X 1-3/8" LONG PIN	UO136-3995



Above. Beyond. Always.

ADD-A-STEP

INSTALLATION INSTRUCTIONS

INTRODUCTION

Make RV entry effortless - no more step stools needed! Adjustable for 8" and 9" rises and available in two widths, the Add-A-Step easily attaches to any Gen 2 StepAbove step to close the gap when the ground is uneven.

Tools Required:

- 7/16" Wrench/Socket
- 5/32" Allen Wrench
- Ratchet
- Tape Measure

PREPARATION

General Safety & Warnings:

- ⚠ WARNING** Read and understand all instructions and warnings prior to installation.
- ⚠ WARNING** Failure to follow the instructions and heed the warnings of this document may result in injury, damage to the trailer and/or property, and/or void the product warranty. Always utilize appropriate safety equipment, i.e. proper eye protection, hearing protection, gloves, etc.
- ⚠ WARNING** You are personally responsible for following safe installation procedures and completing appropriate safety checks.
- ⚠ WARNING** MORryde does not take ownership of any incorrectly installed Add-A-Steps or damage that may result from an incorrectly installed Add-A-Step.

NOTE: The MORryde Add-A-Step is only compatible with the Gen 2 StepAbove steps.

ADD-A-STEP

INSTALLATION INSTRUCTIONS

INSTALLATION

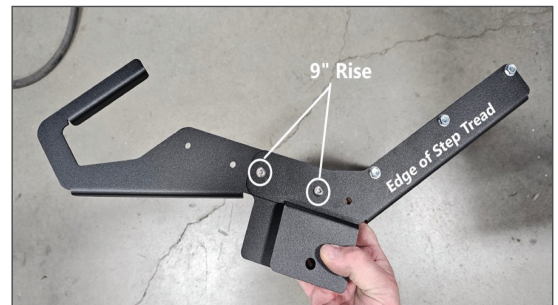
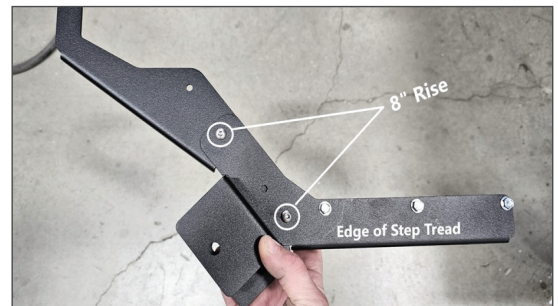
STEP 1

Use the tape measure to determine whether the distance from the top of the first tread to the top of the second tread is either 8 or 9 inches.



STEP 2

Turn the Add-A-Step tread on its side, select the hole pattern consistent with the needed rise height, then use the bolts and nuts (provided) to secure the bracket for said rise height, utilizing the 7/16" wrench and 5/32" allen wrench.



Above. Beyond. Always.

ADD-A-STEP

INSTALLATION INSTRUCTIONS

STEP 3

Once the rise height has been established, set the Add-A-Step aside, lift the RV steps and remove the current step legs.



STEP 4

With the old step legs now removed, insert the new extended step legs and adjust them so that the steps sit level on the ground.



ADD-A-STEP

INSTALLATION INSTRUCTIONS

STEP 5

With the extended step legs installed and the steps level, attach the Add-A-Step by sliding the bracket below the lowest fixed step and allowing the "hooked" portions of the bracket to come up from behind and rest on top of the step as the Add-A-Step pinning channel comes to rest over each of the two extended step legs.



STEP 6

With the Add-A-Step firmly in place, use the step retention pins (provided) to pin the Add-A-Step securely in place.

Note: Retention pins **must** be installed prior to use and remain installed until the Add-A-Step is removed for travel.

⚠ WARNING Failure to install or leave pins in place can cause injury or damage.



Above. Beyond. Always.

ADD-A-STEP

INSTALLATION INSTRUCTIONS

STEP 7

Depending on the height clearance of your RV entry door, the Add-A-Step may need to be removed before storing your steps. For the first time of using the Add-A-Step, slowly lift the StepAbove steps with the Add-A-Step attached and see if it will interfere with the door.

If it *does not* interfere, lift your steps as normal and ensure the steps lock into place. If the Add-A-Step *does* interfere, it will need to be removed.

To remove the Add-A-Step, simply remove each of the retention pins, lift the front of the step up high enough to disengage the hooked portions of the bracket, remove the step and stow along with pins in a place of your choosing.

Note: Extended legs can remain in place but may need to be retracted to allow for room to properly return steps to the stowed position in the doorway of the RV.



TROUBLESHOOTING

Please contact MORryde Customer Service should mechanical difficulties occur that interfere or impede the functionality/normal operation of the Add-A-Step.

1966 Sterling Avenue Elkhart, IN 46516 | 574.293.1581 | Sales@MORryde.com

At MORryde, we have a passion for solving problems. Whether we're fabricating custom solutions, modifying a commercial chassis, or creating our innovative products, we answer to a wide range of markets and deliver on a variety of needs. At MORryde, it's simply about doing MORE for our customers, and it doesn't stop at the sale. We stand behind our products, believing in quality first, service always. No matter the issue, we'll be the first to respond and the last to be satisfied. In short, we build better — together.



Add-A-Step | VERSION 4



574.293.1581 • MORryde.com

