



GOOSETECH

RUBBER GOOSENECK BOX

INSTALLATION INSTRUCTIONS



Above. Beyond. Always.

574.293.1581
www.MORryde.com

GOOSETECH

INSTALLATION INSTRUCTIONS



Above. Beyond. Always.

574.293.1581
www.MORryde.com

GOOSETECH

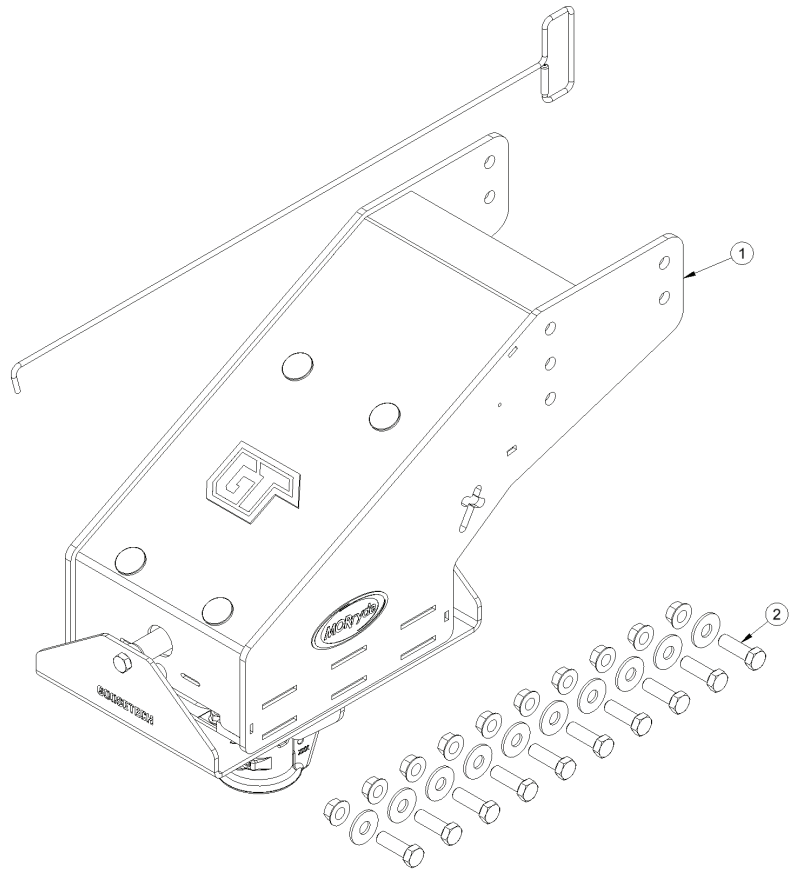
INSTALLATION INSTRUCTIONS

PARTS LISTING

Item	Qty	Part Number	Description
1	1	RGN72-FD	FD GooseTech Box with Remote Release Hook
		RGN72-116	1116 GooseTech Box with Remote Release Hook
		RGN72-1621SHD	1621SHD GooseTech Box with Remote Release Hook
		RGN72-1716	1716 GooseTech Box with Remote Release Hook
2	1	RPB46-001	Hardware Mounting Kit - 30 PC
		RPB46-002	Hardware Mounting Kit - 36 PC

Tools Required:

- Impact Gun or Ratchet
- Match size of Socket and Wrench to Gooseneck hardware: 15/16"
- Torque Wrench capable of 135 ft-lbs
- 3/8" Nut Driver or Socket
- Centering Pin (or screwdriver)
- Drill and 3/16" Drill Bit
- Phillips Screwdriver
- Safety Glasses
- Gloves



Above. Beyond. Always.

574.293.1581
www.MORryde.com

GOOSETECH

INSTALLATION INSTRUCTIONS

PREPARATION

General Safety & Warnings:

⚠ WARNING Read and understand all instructions and warnings prior to installation. Failure to follow these instructions and heed the warnings of this document may result in death or serious injury, damage to the vehicle and/or trailer, and/or avoidance of the product warranty. Always utilize appropriate safety equipment, i.e. proper eye protection, hearing protection, gloves, etc.

⚠ WARNING Avoid positioning any part of your body under the upper deck of the trailer, or between the tow vehicle and gooseneck. Unintended movement of the tow vehicle or trailer may result in serious injury or death.

⚠ WARNING Due to the weight of and size of the gooseneck, do **NOT** attempt this installation alone. At least (2) people are required for the installation of this system.

NOTE: For Operating information, refer to the MORryde GooseTech Gooseneck Owners Manual. This document can be found at www.morryde.com.



Above. Beyond. Always.

574.293.1581
www.MORryde.com

GOOSETECH

INSTALLATION INSTRUCTIONS

INSTALLATION

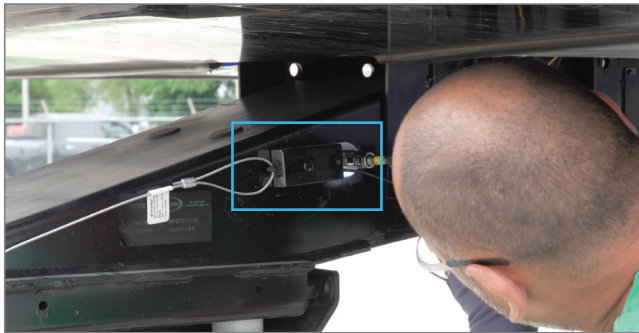
STEP 1

Note the locations of the bolts for the factory pin box the MORryde system should be installed using the same factory hole settings.



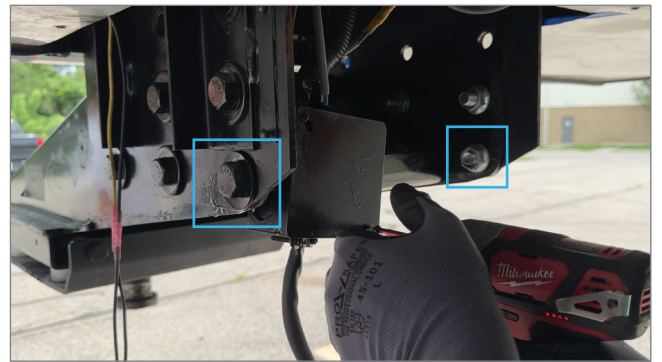
STEP 2

Remove any items attached to the factory pin box (i.e. power cord box, breakaway switch, exterior lights, lube plate, etc.)



STEP 3

Remove all but (2) of the bolts securing the pin box to the 5th wheel frame. Leave (1) bolt in place on the left side and (1) bolt on the right side, towards the back of the pin box. **DO NOT** remove the last (2) bolts until Step 4 is complete.



STEP 4

Ensuring that all parts of your body are clear of the pin box, remove the remaining (2) bolts and lower the pin box.



Above. Beyond. Always.

574.293.1581
www.MORryde.com

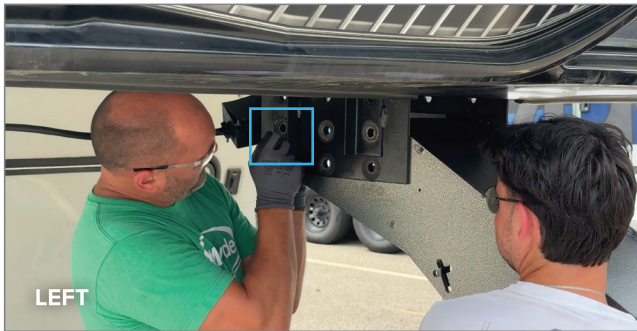
GOOSETECH

INSTALLATION INSTRUCTIONS

INSTALLATION

STEP 5

Carefully lift the GooseTech into place, then using a centering pin, center the holes and install (1) bolt on the left side and (1) on the right in opposing locations. Be sure to use the same mounting holes referenced in **Step 1**.



STEP 6

Install the remaining bolts and tighten down, then use a 15/16" socket and torque wrench to tighten the grade 5 zinc bolts to 135 ft-lbs (5/8-11 bolt size), or 190 ft-lbs if bolts are grade 8.

NOTE: Re-check the torque values after the trailer has been towed 100 miles.



Above. Beyond. Always.

574.293.1581
www.MORryde.com

GOOSETECH

INSTALLATION INSTRUCTIONS

INSTALLATION

STEP 7

Lastly, re-install items that were removed in **Step 2**.



COMPLETE



Above. Beyond. Always.

574.293.1581
www.MORryde.com

At MORryde, we have a passion for solving problems. Whether we're fabricating custom solutions, modifying a commercial chassis, or creating our innovative products, we answer to a wide range of markets and deliver on a variety of needs. At MORryde, it's simply about doing MORE for our customers, and it doesn't stop at the sale. We stand behind our products, believing in quality first, service always. No matter the issue, we'll be the first to respond and the last to be satisfied. In short, we build better — together.



Questions? Contact the Parts Department at **574-293-1581** or email parts@morryde.com.



Above. Beyond. Always.

GooseTech | v8

574.293.1581
www.MORryde.com